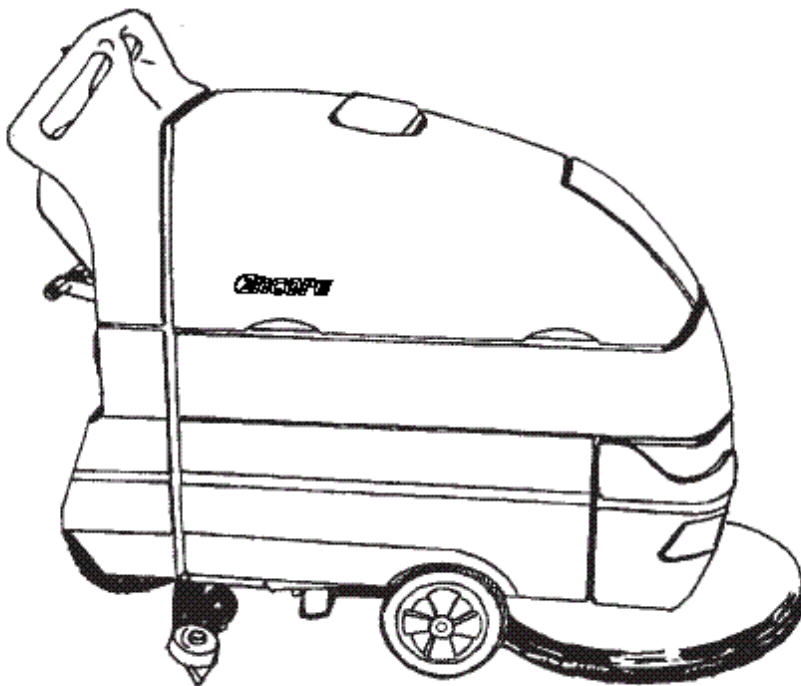


ENCORE 20 S / 20 L

Model:
ENCORE 20 L
ENCORE 20 S



Part List US-English

17-10-2012

Table of Contents

ENCORE 20 S / 20 L

Accessories	3
Final Assembly Drawing	5
Recovery Tank	7
Solution Tank	9
Squeegee Lift	12
Squeegee Assembly after SN #AC2077	14
Frame Assembly & Transaxle	16
Frame Assembly S20 from SN BHXXXX	18
Brush Lift	20
Brush housing	22
Transaxle repair parts 4/01	24
Transaxle Drawing & Parts List 2/03	26
Brush Motor	28
Gearbox assembly	30
Vacum Motor	32
Battery Charger	34
Electronic solution valve kit without shut-off	36
Electronic solution valve kit with shut-off	38
Powerwand kit 10662A	40
Brush & Hour Meter kit	42
Rear panel for machines with 41150B Traverse contr	44
Electrical cover assembly for Machines with 41150B	46
Rear panel for machines with 41150C Traverse contr	48
Electrical cover assembly for Machines with 41150C	50
Optional Brake	52
ESP system	54
Squeegee Assembly OLD VERSION	56

Accessories

ENCORE 20 S / 20 L

17-10-2012

Part List ID
ENCORE20SL

3

No Drawing For Part List

Accessories

ENCORE 20 S / 20 L

17-10-2012

Part List ID
ENCORE20SL

4

Pos	Part no.	Qty	Description
	10055A	1	DUAL DIR.CLUTCH DRIVER KIT20
	10129L	1	SQUE ASM 32 LINATEX
	10635A	1	BRAKE KIT ENCORE 20BT
	10656A	1	HOUR METER KIT ENCORE S 20
	10662A	1	POWERWAND KIT ENCORE 20
	10663A	1	ESP RECYCLE KIT ENCORE 20
	10669A	1	SOLUTION KIT ELECTRONIC 24VDC
	14097A	1	LOW VOLTAGE CUT OFF KIT 24 V
	14607A	1	CLARKE CARE KIT
	18820L	1	SQUE ASM 29 W/TOOL LINATEX
	30034A	1	PLATE CLUTCH DUAL ACTION
0	38042A	1	DRIVER PAD 19 IN DUAL
	50478A	1	PROTECTANT POLYDUR
	51447D	1	BRUSH 20 POLYPROPYLENE DUAL
	51450D	1	BRUSH 20 TYNEX ABRASIVE
0	51474D	1	BRUSH 20 CLEANGRIT DUAL DIR
	51474D	1	BRUSH 20 CLEANGRIT DUAL DIR
	51482D	1	BRUSH 20 NYLON .016 DIA BLACK
	55420A	1	GUN GREASE KIT
	57369A	1	RETAINER PAD BOT HALF ONLY
	57370A	1	RETAINER PAD TOP HALF ONLY
	58530A	1	SPACER PAD DRIVER 3/8 X 6.75
	58531A	1	SPACER PAD DRIVER 1/2
	66649A	1	PLATE BRUSH DRIVE C.W METAL
	80084A	1	NUT 1/4 20X7/16 PROPELL PLATED
	962819	1	SCR 1/4 20 X 1 1/4 PHILLIPS
	976067	1	PADS CS 20 WHITE 51 CS/5EA
	976068	1	PAD 20 IN RED 5100 CS/5EA
	976069	1	PADS CS 20 BLUE 51 CS/5EA
	976070	1	PADS CS 20 BROWN 51 CS/5EA
	976170	1	PADS CS 20 BLACK THIN CS/5EA
	979199	1	PADS CASE 20 YELLOW HS CLARKE

Final Assembly Drawing

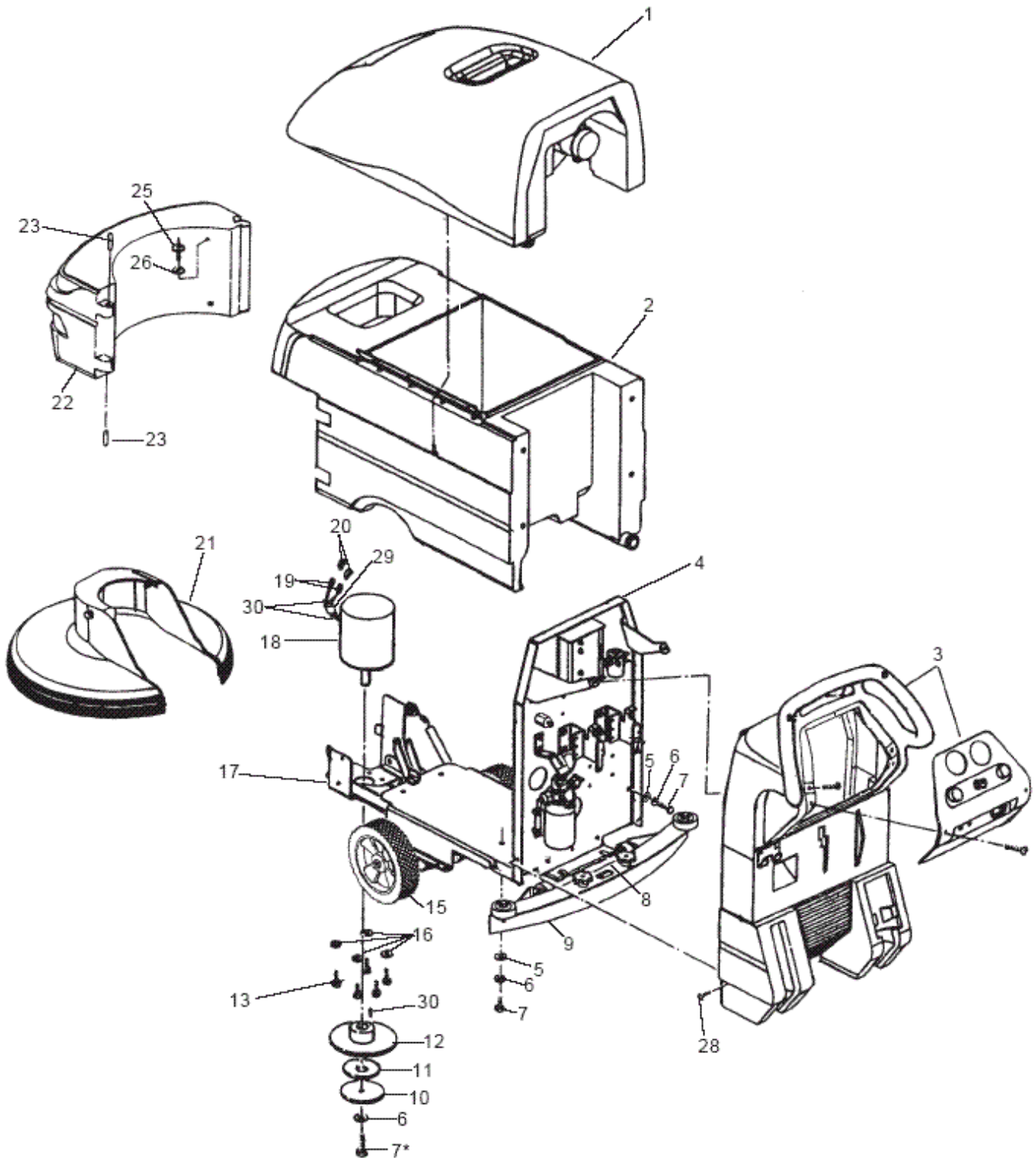
ENCORE 20 S / 20 L

17-10-2012

Part List ID
ENCORE20SL01

5

Final Assembly Drawing 8/04



* Recommended 12 ft. lbs torque, also apply blue loctite.

Final Assembly Drawing

ENCORE 20 S / 20 L

17-10-2012

Part List ID
ENCORE20SL01

6

Pos	Part no.	Qty	Description
5	980651	8	WASHER 5/16 SAE FLAT
6	980652	9	WASHER LK 5/16 REGPLTD
7	85811A	9	BOLT 5/16 18 X 3/4 HX HD
10	980210	1	WASHER IMPELLER
11	980679	1	WASHER 3/4 SAE FLAT PLTD
12	20308A	1	ADAPTOR MOTOR 1700 VDE
13	85727A	4	SCR 3/8 16 X 1 HEX HEAD SS
16	980638	4	LOCKWASHER 3/8 LT SPRING TYPE
18	44809B	1	MOTOR BRUSH 3/4HP 24VDC N SLOT
19	41601A	2	CONNECTOR CONTACT
20	40645A	2	CONNECTOR HOUSING PP75 BLACK
22	32403B	1	COVER BRS MOTOR BLUEENCORE20
23	36902A	2	PIN NYLON .50DIA.X1.00 LG. ENC
25	80256A	1	RIVET PLASTIC ANCHOR .250 X.75
26	80255A	1	WASHER NYLON .50 DIA
27	699202	2	TIE WIRE 935A
28	85518A	6	SCR 1/4 20X 3/4 PN SY TC F
29	47202A	1	SUPPRESSOREMI FERRITE
30	915102	1	KEY 1/4X1/4X31/32 SQ
NI	38720A	1	SPACERBATT.COMP. REAR
NI	38721A	1	SPACERBATT. COMP.SIDE
NI	41206A	1	CABLE SERIES BATTERY 16 2700
NI	41211A	1	CABLE ASM BATTERY VISION 26L

Recovery Tank

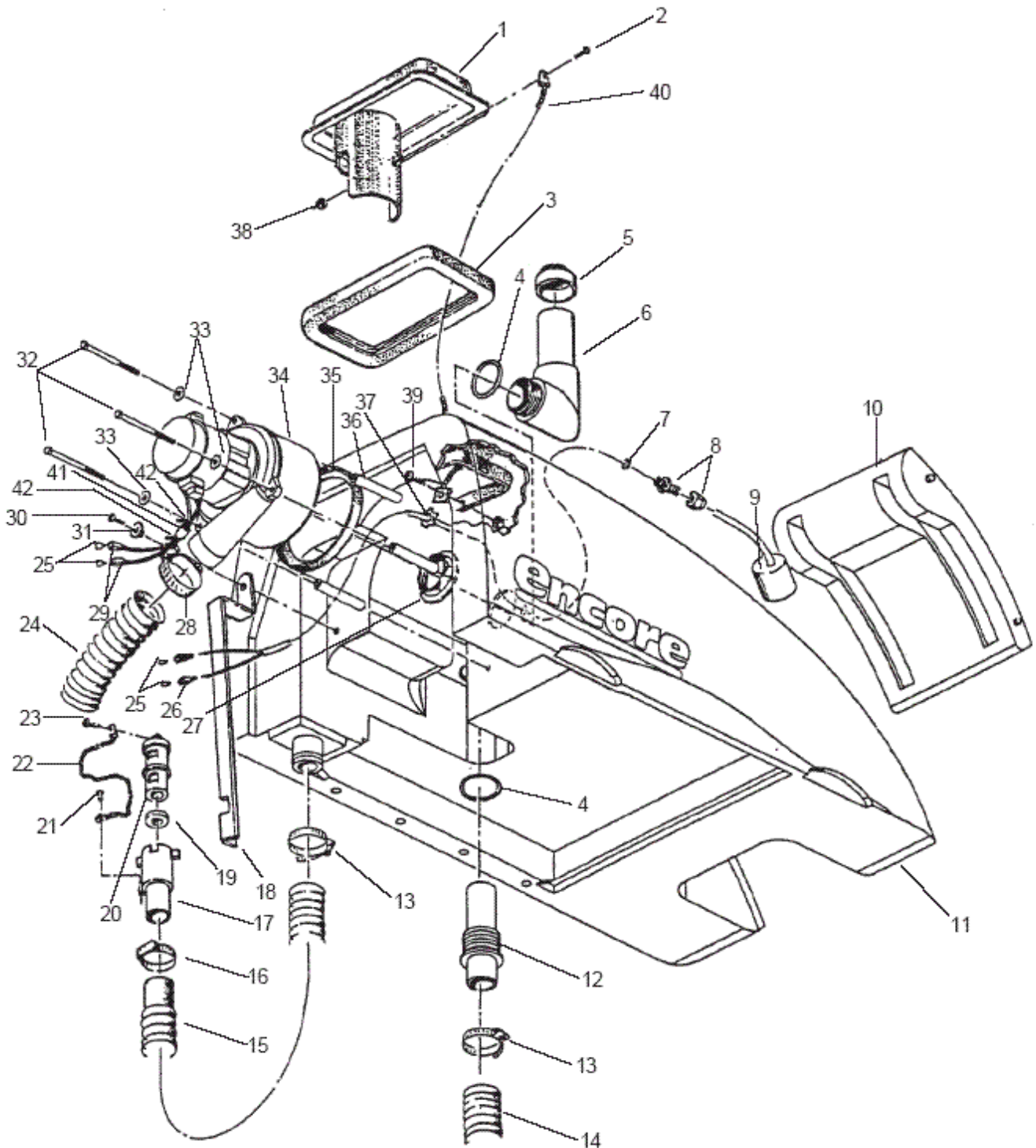
ENCORE 20 S / 20 L

17-10-2012

Part List ID
ENCORE20SL02

7

CLARKTECHNOLOGY Encore S20/L20 Recovery Tank Assembly Drawing 7/02



Recovery Tank

ENCORE 20 S / 20 L

17-10-2012

Part List ID
ENCORE20SL02

8

Pos	Part no.	Qty	Description	
1	36209B	1	LID RECOVERY ENCORE 20	
2	962798	1	SCR 10 24X 1/2 PN SS	
3	34256B	1	GASKET REC IMAGE EXT 441	
4	837304	2	O RING RETAINER PAPER BAG	
5	58069A	1	SCREEN VAC FILTER ENCORE 20	
6	39336B	1	TUBE STAND 1 1/2 SPT X 4.00	
7	59877A	1	WASHER 1/2 NPT SEALING	
8	56459A	1	STRAIN RELIEF EXT 771 PBII	
9	10660A	1	FLOAT ASM KIT ENCORE 20	
10	32401B	1	COVERREC.TANK BLUE ENCORE 20	
11	30266A	1	TANK REC ENCORE 20 ALTO	
12	30132A	1	ADAPTOR ASM. VACUUM ENCORE 20	
13	752020	2	CLAMP 450 SHAMPOOER VAC	
14	824103	1	HOSE SQUEEGEE TB20E	
15	30443A	1	HOSE DRAIN ENCORE 20	
16	832002	1	CLAMP NYLON HOSE	
17	839401	1	VALVE DRAIN	
18	65503A	1	LATCH REC.TANK PNTD. ENCORE20	
19	833407	1	GASKET DRAIN	
20	833901	1	HANDLE DRAIN VALVE	
21	962958	1	SCREW 8 18 X 1/2 PN	
22	52206A	1	CHAIN COVER AUTOSCRUBER	
23	962987	1	SCR 10 24X 3/8 PN ST TYP23	
24	674110	1	HOSE	
25	41809A	4	CONTACT CONNECTOR VISION 26/	
26	43402A	2	HOUSING CONNECTOR BLUE VISION	
27	920797	1	NUT DRAIN VALVE LOCK 8131 935	
28	872010	1	CLAMP HOSE	
29	43401A	2	HOUSING CONNECTOR BLK VISIO	
30	962986	1	SCR 5/16 18X 3/4 PN ST MACH	
31	87621A	1	WASHER SHOULDER .328 ID NYLON.	
32	85728A	3	SCREW 1/4 20 X 4 HEX HD AUTOSC	
33	87026A	3	WASHER .250 FLAT SS	
34	56412218	1	MOTOR VAC 24VDC	
35	643418	1	GASKET	
36	58533A	3	SPACER VAC MOTOR 3 STG. SUMMI	
37	82100A	1	LOCKNUT 1/2 CONDUIT	
38	81110A	1	NUT HEX ELASTIC LOCK 10 24 S.S	
39	85519A	1	SCR 1/4 20X 3/8 PN SY TC F	
40	692409	1	CHAIN COVER 925A	
41	47202A	1	SUPPRESSOREMI FERRITE	
42	699202	2	TIE WIRE 935A	
NI	839410	1	VALVE ASM SOLUTION DRAIN	INCLUDES 17,19, 20, 21, 22

Solution Tank

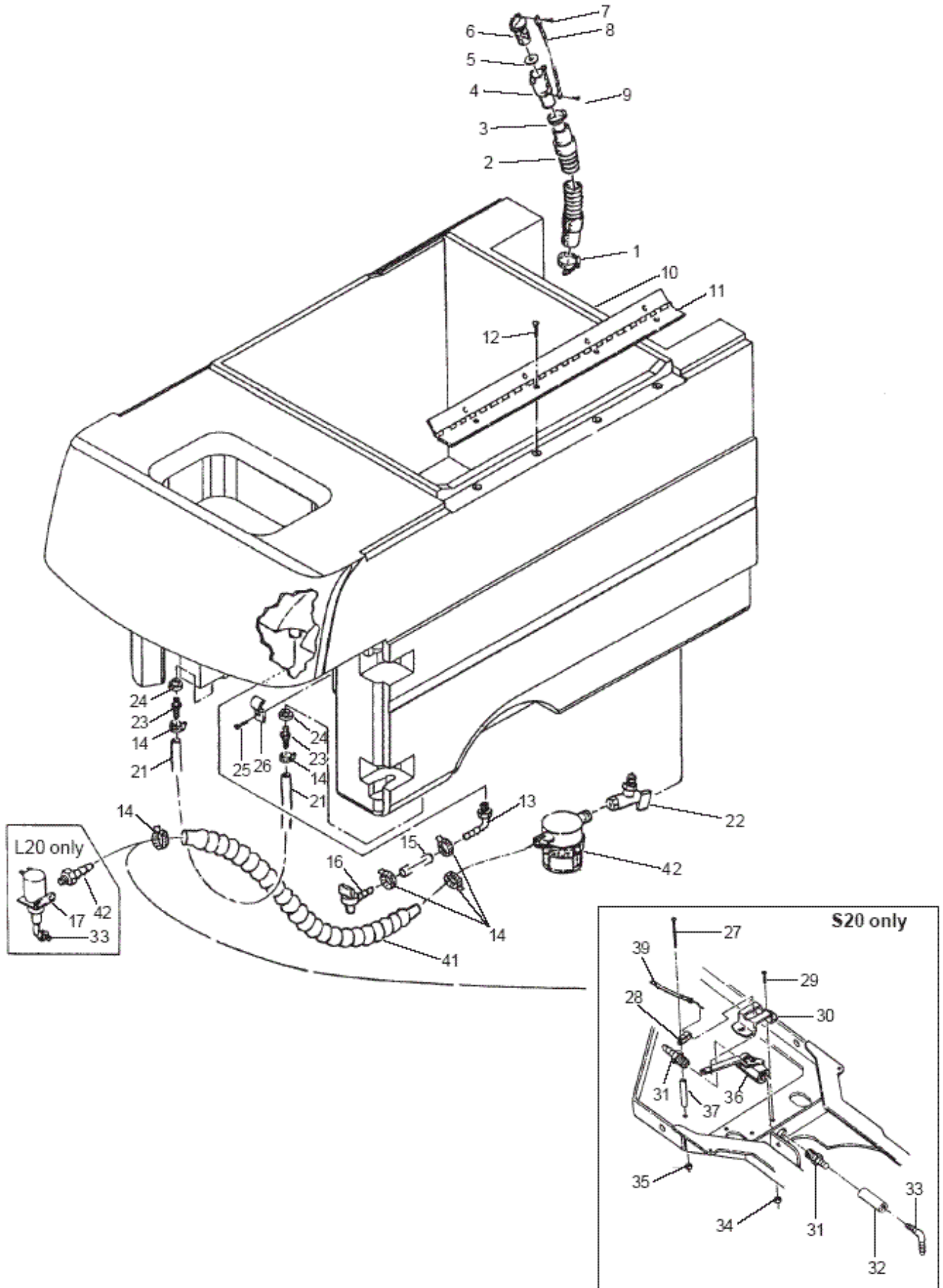
ENCORE 20 S / 20 L

17-10-2012

Part List ID
ENCORE20SL03

9

CLARKE TECHNOLOGY Encore S20/L20
Solution Tank Assembly Drawing 8/04



Solution Tank

ENCORE 20 S / 20 L

17-10-2012

Part List ID
ENCORE20SLU03

10

Pos	Part no.	Qty	Description	
1	752020	1	CLAMP 450 SHAMPOOER VAC	
2	30442A	1	HOSE DRAIN ENCORE 20	
3	832002	1	CLAMP NYLON HOSE	
4	839401	1	VALVE DRAIN	
5	833407	1	GASKET DRAIN	
6	833901	1	HANDLE DRAIN VALVE	
7	962987	1	SCR 10 24X 3/8 PN ST TYP23	
8	52206A	1	CHAIN COVER AUTOSCRUBER	
9	962958	1	SCREW 8 18 X 1/2 PN	
10	30265A	1	TANKSOL ENCORE 20 ALTO	
11	64517A	1	HINGE SOL./REC.TANKS ENCORE 20	
12	85398A	4	SCREW 1/4 20 X 1/2 PAN HD SS	
13	55162A	1	HOSE BARB 3/8 X 3/8 90 DEG	
14	50248A	6	CLAMP 3/8 HOSE	
15	39335A	1	TUBINGVINYL 17.00 LONG ENC 20	
16	59612A	1	VALVE BATTERY DRAIN ENCORE 20	
17	59610A	1	VALVE ELEC.SOLUTION FLOW 24VDC	
21	30172A	1	HOSE CLEAR 16 1/2	
22	51204A	1	VALVE 3/8NPT MALE/FEMALE	
23	52414A	2	HOSEBARB 3/8 STRAIGHT	
24	51518A	2	BUSHING HOSE CONNECTOR	
25	84237A	1	SCREW 10 32 X 1/2 PAN HD SS	
26	782002	1	CLAMP MANIFOLD RM 10	
27	85702A	1	SCR 1/4 20X1 3/4 HX ST CAP	ONLY S VERSION
28	832102	1	CLIP CABLE	ONLY S VERSION
29	962798	2	SCR 10 24X 1/2 PN SS	ONLY S VERSION
30	820823	1	BRACKET	ONLY S VERSION
31	53618A	2	ADAPTOR 3/8 X 3/8 NPT NYLON	ONLY S VERSION
32	39337A	1	TUBINGVINYL 2.5 LONG ENC.20	ONLY S VERSION
33	51526A	1	HOSEBARB 3/8 X 90 DEG	
34	81110A	2	NUT HEX ELASTIC LOCK 10 24 S.S	ONLY S VERSION
35	81104A	1	NUT 1/4 20 ESNA TYPE SS	ONLY S VERSION
36	849401	1	VALVE SOLUTION	ONLY S VERSION
37	678215	1	SPACER PLATE	ONLY S VERSION
38	53619A	1	ADAPTOR 3/8 BARB X 1/4 NPT NYL	ONLY L VERSION
39	11703A	1	CABLE SOLUTION ENCORE S20	
41	35138A	1	HOSE SOLN TANK	
42	53562A	1	FILTER BOWL 3/8MNPT X 3/8 HOSE	
42	53563A	1	FILTERSCREEN 20X20 S.S.	REPAIR PARTS FOR # 53562A
42	53564A	1	FILTER UPPER BODY FOR 53562A	REPAIR PARTS FOR # 53562A
42	54369A	1	GASKETVITON FOR 53050A	REPAIR PARTS FOR # 53562A
NI	50389A	1	PLUNGER FOR 59610A SOL VALVE	
NI	50390A	1	SPRING FOR 59610A SOL VALVE	

Solution Tank

ENCORE 20 S / 20 L

17-10-2012

Part List ID
ENCORE20SL03

11

Pos	Part no.	Qty	Description
NI	50391A	1	DIAPHRAGM PTFE VITON 59610A
NI	839410	1	VALVE ASM SOLUTION DRAIN

Squeegee Lift

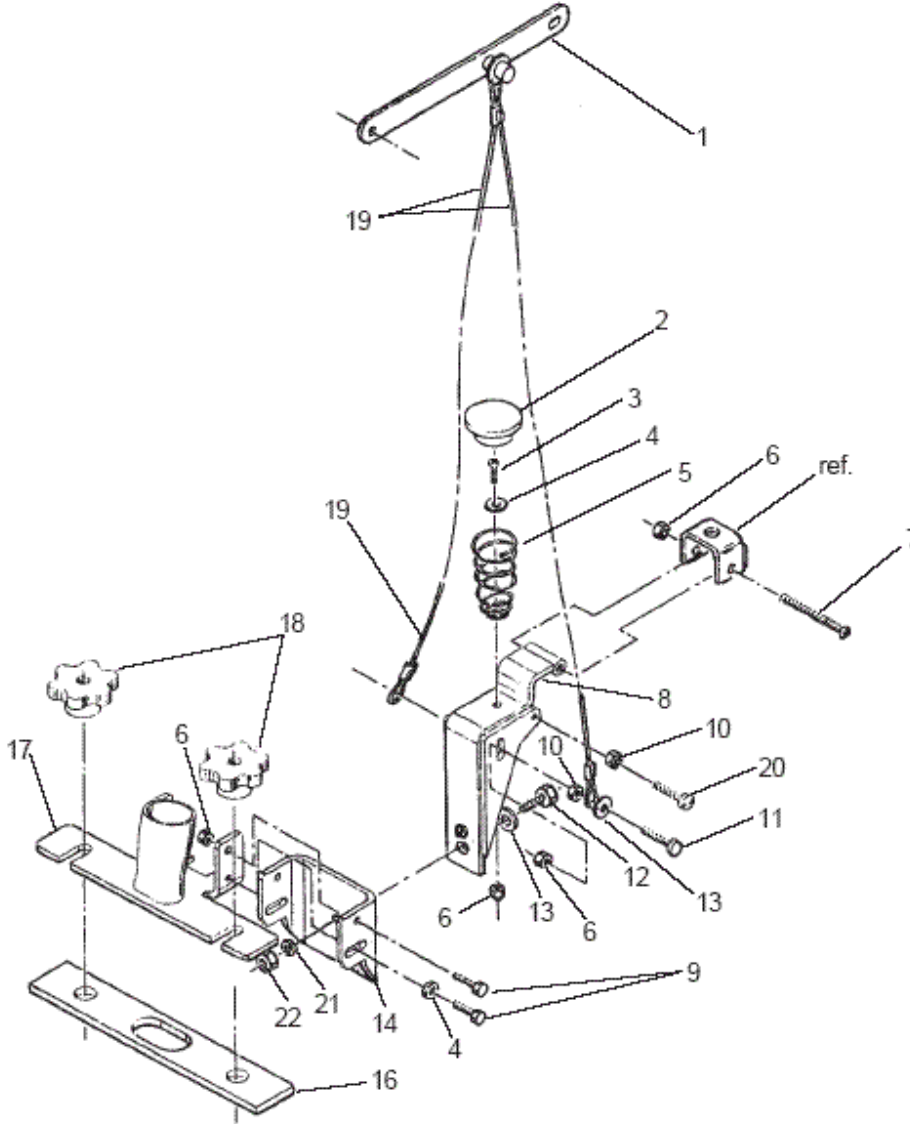
ENCORE 20 S / 20 L

17-10-2012

Part List ID
ENCORE20SL04

12

CLARKE TECHNOLOGY Encore S20/L20
Squeegee Lift Assembly Drawing and Parts List 10/03
Drawing # 18814A



Ref #	Part No.	Description	Qty.
1	ref.21,pg56,65	Handle	-
2	30517A	Bushing	1
3	85600A	Screw, 1/4-20 x 3/4	1
4	87026A	Washer, 1/4, SS	3
5	50034A	Spring, Squeegee	1
6	81104A	Nut, Nylock, 1/4	6
7	85396A	Screw, 1/4-20 x 2 SS	1
8	60225A	Swivel, Squeegee	1
9	170915	Screw, 1/4-20 x 3/4	4
10	920208	Nut, 1/4-20, Plated	4
11	962481	Screw, 1/4-20 x 1 1/4 Hex	2
12	85730A	Screw, 3/8-16, Hex	1
13	87031A	Washer, Flat, 3/8, SS	3
14	69860B	Pin, Bracket Weldment	1
16	34260B	Gasket, Squeegee	Ref.
17	61263A	Bracket, Tube	1
18	25201A	Knob, Clamping	Ref.
19	61677A	Cable, Lift, Squeegee	-
20	86408A	Screw, 1/4-20x1 Truss	2
21	980638	Lockwasher, 3/8 LT Spring Type	1
22	81111A	Nut, 3/8-16 ESNA	1

Squeegee Lift

ENCORE 20 S / 20 L

17-10-2012

Part List ID
ENCORE20SL04

13

Pos	Part no.	Qty	Description
2	30517A	1	BUSHING SQUEEGEE 1700B+E II
3	85600A	1	SCREW 1/4 20 X 3/4 PAN HEAD
4	87026A	3	WASHER .250 FLAT SS
5	50034A	1	SPRING COMPRESSIONENCORE 20
6	81104A	6	NUT 1/4 20 ESNA TYPE SS
7	85396A	1	SCREW 1/4 20 X 2 PAN HD SS
8	60225A	1	SWIVEL WLDMT SQUEEGEE PLTD
9	170915	4	SCREW 1/4 20 X 3/4 HX HDSS
10	920208	4	NUT HEX 1/4 20PLTD
11	962481	2	SCR 1/4 20 X 1 1/4 HEX ST CAP
12	85730A	1	SCREW 3/8 16X1 1/4 HEX HD. SS
13	87031A	3	WASHER FLAT 3/8 S.S.
14	69860B	1	BRACKET PIN WLDMT. ENCORE 20
16	34260B	1	GASKET SQUEEGEE VISION 26/32
17	61263A	1	TUBE BRKT. WLDT ENCORE 20
18	25201B	1	KNOB CLAMPING
19	61677A	1	CABLE SQUEEGEE LIFT ENCORE 20
20	86408A	2	SCREW 1/4 20 X 1 TR P SS
21	980638	1	LOCKWASHER 3/8 LT SPRING TYPE
22	81111A	1	NUT HEX ELASTIC LOCK 3/8 16

Squeegee Assembly after SN #AC2077

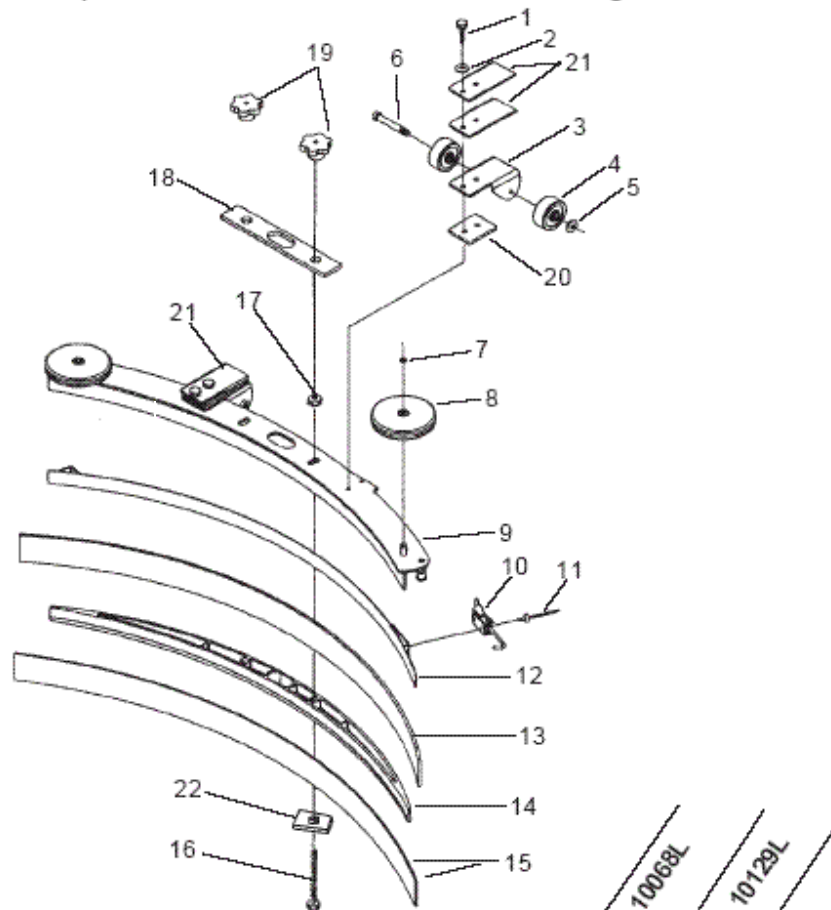
ENCORE 20 S / 20 L

17-10-2012

Part List ID
ENCORE20SL05

14

Clarke®
Encore S20/L20
Squeegee Assembly Drawing 12/06
Drawing # 10068A and 10129A (used on machines built after 4-8-03, starting with Serial #AC2077)



Ref. #	Part No.	Description	39" Qty	32" Qty
1	80252A	Screw, 1/4-20 x 1 Hex SS	-	4
	80253A	Screw, 1/4-20 x 1 1/2 Hex SS	4	-
2	980657	Washer, 1/4 Lock	4	4
3	60243A	Bracket, Squeegee Wheel	2	2
4	30049B	Wheel, Squeegee	4	4
5	81104A	Nut, 1/4-20	2	2
6	60254A	Bolt, Shoulder 5/16 x 2 1/4	2	2
7	50958A	Ring, 3/8 ID Snap	2	2
8	30048A	Wheel, Guide, 4 Inch Diameter	2	2
9	60272A	Channel, Squeegee Weldment 39"	1	-
	60234A	Channel, Squeegee Weldment 32"	-	1
10	50835A	Latch, Squeegee Clamp	1	1
11	930086	Rivet, 3/16 x .450 Aluminum	2	2
12	60252A	Strap, Clamp, Squeegee Retainer 39"	1	-
	60232A	Strap, Clamp, Squeegee Retainer 32"	-	1
13	30069L	Blade, Rear, Linatex, 39"	1	-
◆	30067L	Blade, Rear, Linatex, 32"	-	1
14	30058A	Spacer, Squeegee 39"	1	-
	30047A	Spacer, Squeegee 32"	-	1
15	30717L1	Blade, Front, Linatex 39"	1	-
◆	30764L1	Blade, Front, Linatex 32"	-	1
16	80011A	Screw, 3/8-16 x 3	2	2
17	81301A	Nut, 3/8-16 Jam SS	2	2
18	34260B	Gasket	1	1
19	25201A	Knob	2	2
20	60358A	Shim, Squeegee Wheel	2	2
21	61370A	Weight	8	4
22	80280A	Nut, Squeegee Backup	2	2

NOTE:◆ indicates a change has been made since the last publication of this manual.

Squeegee Assembly after SN #AC2077

ENCORE 20 S / 20 L

17-10-2012

Part List ID
ENCORE20SL05

15

Pos	Part no.	Qty	Description	
1	80252A	4	SCREW 1/4 20 X 1 HH SS	FOR 32" SQUEEGEE
1	80253A	4	SCR 1/4 20 X 1 1/2 HEX HD SS	FOR 39" SQUEEGEE
2	980657	4	WASHER LOCK 1/4 STD	
3	60243A	2	BRACKETSQUEEGEE WHEEL ENC2426	
4	30049B	4	WHEEL 1X2X5/16 PERFORMA TREAD	
5	81104A	2	NUT 1/4 20 ESNA TYPE SS	
6	60254A	2	BOLT SHOULDER 5/16X2 1/4	
7	50958A	2	RING SNAP 3/8 I.D. YEL ZINC	
8	30048A	2	GUIDE WHEEL ENCORE 2426	
10	50835A	1	LATCH SQUEEGEE DRAWENC 2426	
11	930086	2	RIVET 3/16X450 LG	
12	60232A	1	STRAP 32 SQUEEGEE CLAMP2426	FOR 32" SQUEEGEE
12	60252A	1	SQUEE WLDMT CLAMP 39 ENC2426	FOR 39" SQUEEGEE
13	30067L	1	BLADESQ.LINATEX35.12	FOR 32" SQUEEGEE
13	30069L	1	BLADE SQ.LINATEX 43.50	FOR 39" SQUEEGEE
14	30047A	1	SPACER SQUEEGEE 32 ENC 2426	FOR 32" SQUEEGEE
14	30058A	1	SPACER SQUEEGEE 39 ENC 2426	FOR 39" SQUEEGEE
15	30717L1	1	BLADE INNER NOTCHED 1/8 LIN	FOR 39" SQUEEGEE
15	30764L1	1	BLADE INNER NOTCHED 1/8 LIN	FOR 32" SQUEEGEE
16	80011A	2	SCR 3/8 16X3 CR SS	
17	81301A	2	NUT 3/8 16 JAM SS	
18	34260B	1	GASKET SQUEEGEE VISION 26/32	
19	25201B	2	KNOB CLAMPING	
20	60358A	2	SHIMWHEELSQUEEGEE ENCORE2426	
21	61370A	8	WEIGHT SQUEEGEE ENCORE S	
22	80280A	2	NUT SQUEEGEE BACKUP	

Frame Assembly & Transaxle

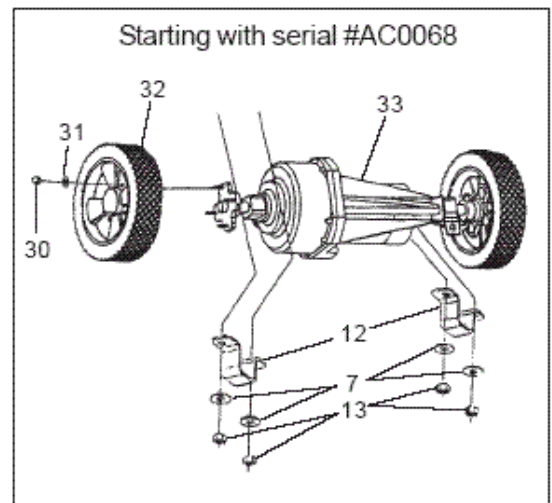
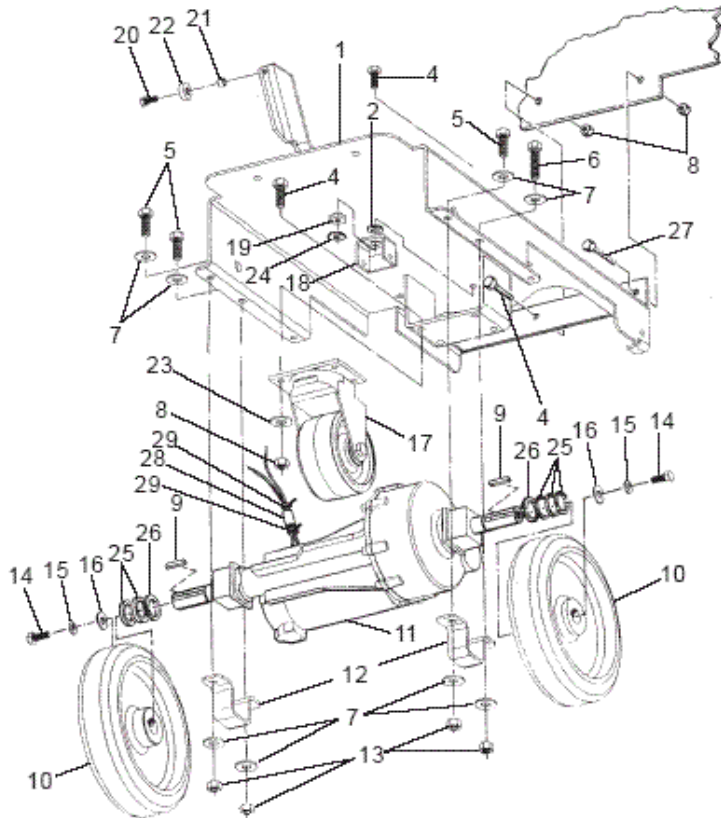
17-10-2012

Part List ID
ENCORE20SL06

ENCORE 20 S / 20 L

16

CLARKE TECHNOLOGY Encore L20 Frame Transaxle Assembly Drawing and Parts List 8/04



Ref #	Part No.	Description	Qty.
1	63431A	Frame	1
2	87607A	Washer, Nylon	1
4	85811A	Screw, 5/16-18 x 3/4	7
5	85727A	Screw, 3/8-16 x 1	3
6	85836A	Screw, 3/8-16 x 2	1
7	87031A	Washer, Flat, 3/8, SS	8
8	920110	Nut, 5/16-18 ESNA	7
9	915044	Key, 3/16 x 3/16 x 1	2
10	69204B	Wheel, Traverse (Grooved)	2
	69204A	Wheel, Traverse (Smooth)opt	2
11*	10380A	Transaxle (incl 30, 31, 32, 33)	1
12	62435A	Clamp, Transaxle	2
13	81105A	Nut, 3/8-16 ESNA	4
14	962620	Screw, Hex, 5/16-24 x 3/4	2
15	980652	Washer, Lock, 5/16	2
16	980205	Washer	2

Ref #	Part No.	Description	Qty.
17	61675A	Caster	1
18	61252A	Bracket, Squeegee	1
19	61433A	Nut, Spacer	1
20	85391A	Screw, 1/4-20 x 5/8	1
21	608210	Spacer, Bolt	1
22	51516A	Bushing	1
23	980651	Washer, Flat, Plated, 5/16	4
24	81112A	Nut, 5/16 ESNA Thin SS	1
25	87616A	Washer	5
26	57423A	Ring, Retainer	2
27	85814A	Screw, 5/16 -18 x 1 1/4	1
28	47202A	Suppressor	1
29	699202	Wire Tie	2
30	81217A	Nut, 1/4-20 S.S. Thin	8
31	87026A	Washer, Flat 1/4 S.S.	8
32	61437A	Wheel Assembly	2
33	52827A	Transaxle (after serial #AC0068)	1

NOTE: *69165A Transaxle Assembly has been cross-referenced to 10380A but service parts are still available

Qty	Description	Transaxle P/N	
		*69165A	52827A
1	Motor, Transaxle	45044A	40579A
1	Coupler, Motor Drive	52660A	50983A
1	Gear Box and Assembly	69189A	40577A
1	Brush Asm., Comm End	52940A	40578A
2	Sleeve, Elastomeric	51202A	51056A
2	Flange, Wheel Kit	_____	10135A

Frame Assembly & Transaxle

ENCORE 20 S / 20 L

17-10-2012

Part List ID
ENCORE20SL06

17

Pos	Part no.	Qty	Description	
1	63431A	1	WLDMT. FRAME PNTD ENCORE 20BT	
2	87607A	1	WASHER FLT 1.25X.52X.06 NYLON	
4	85811A	7	BOLT 5/16 18 X 3/4 HX HD	
5	85727A	3	SCR 3/8 16 X 1 HEX HEAD SS	
6	85836A	1	SCREW 3/8 16X2 HEX HD. ZINC	
7	87031A	8	WASHER FLAT 3/8 S.S.	
8	920110	7	NUT LK 5/16 18 REGPLTD	
9	915044	2	KEY 3/16 X 3/16 X 1	
10	69204B	2	WHEEL GROOVED ENCORE 20	
11	10380A	1	TRANSAXLE KIT ENCORE 20	
12	62435A	2	CLAMP TRANSAXLE PNTD ENCORE	
13	81105A	4	NUT 3/8 16 ESNA TYPE SS	
14	962620	2	SCR 5/16 24 X 3/4 HEX ST CAP	
15	980652	2	WASHER LK 5/16 REGPLTD	
16	980205	2	WASHER .312 ID/1.06 OD/.075THK	
17	61675A	1	CASTER ENCORE 20BT	
18	61252A	1	BRACKET SQUEEGEE SWIVEL	
19	61433A	1	SPACER SQUEEGEE SWIVEL	
20	85391A	1	SCR 1/4 20X 5/8 PN SY	
21	608210	1	SPACER HANDLE BOLT	
22	51516A	1	BUSHING TOP 2000 PV	
23	980651	4	WASHER 5/16 SAE FLAT	
24	81112A	1	NUT 5/16 18 THIN ESNA S.S.	
25	87616A	5	WASHER FLT 1.00X.75X.06 NYLON	
26	57423A	2	RING RETAINING .75 SHAFT ENC20	
27	85814A	1	SCREW 5/16 18 X 1 1/4 HX HD	
28	47202A	1	SUPPRESSOREMI FERRITE	
29	699202	2	TIE WIRE 935A	
30	81217A	8	NUT 1/4 20 X .218H NYLOCK	
31	87026A	8	WASHER .250 FLAT SS	
32	61437A	2	WHEEL TRAVERSE ENCORE 17	
33	52827B	1	TRANSAXLE ENCORE 20 HUB	after serial #AC0068
101	40577A	1	GEARBOX ASM FOR TRANS 52827A	FOR 52827A
101	40578A	1	BRUSH CARBON SET FOR 52827A	FOR 52827A
101	40579B	1	MOTOR FOR TRANSAXLE 52827B	FOR 52827A
101	45044A	1	MOTOR TRANSAXLE FOR 69165A	FOR 69165A
101	50983A	1	COUPLERMTR DRIVE 50967A	FOR 52827A
101	52660A	1	COUPLERTRANSAXLE FOR 69165A	FOR 69165A
101	52940A	1	BRUSH ASM.COM ENDFOR 69165A	FOR 69165A
101	69189A	1	GEARBOX ASM.TRANSAXLE 69165A	FOR 69165A
102	10135A	1	FLANGE WHEEL KITENCORE 2426	FOR 52827A
102	51056A	1	SLEEVE ELASTOMERIC	FOR 52827A
102	51202A	1	MOUNT BUSHING	FOR 69165A

Frame Assembly S20 from SN BHXXXX

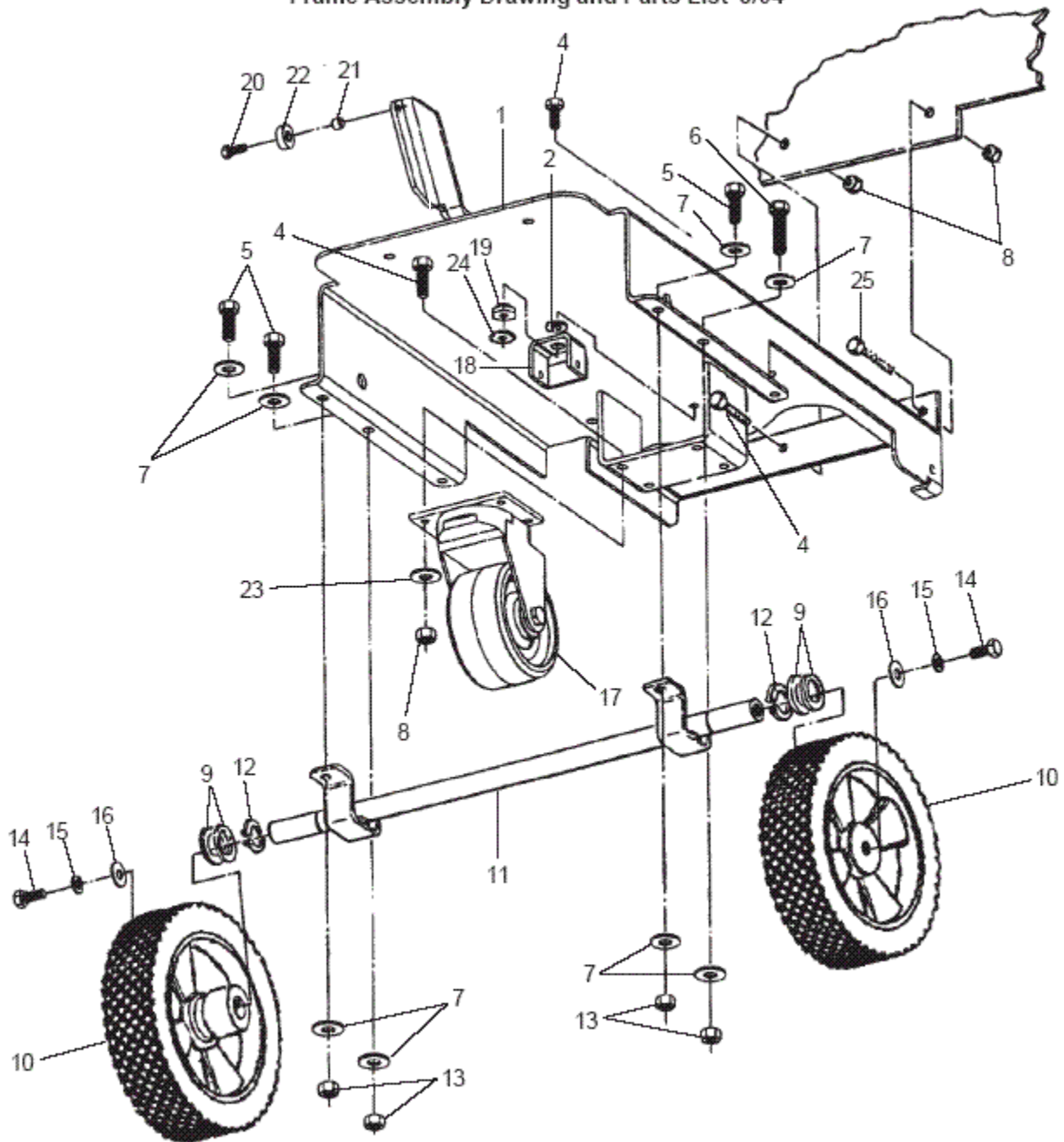
17-10-2012

Part List ID
ENCORE20SL07

ENCORE 20 S / 20 L

18

CLARKTECHNOLOGY Encore S20 Frame Assembly Drawing and Parts List 8/04



Frame Assembly S20 from SN BHXXXX

ENCORE 20 S / 20 L

17-10-2012

Part List ID
ENCORE20SL07

19

Pos	Part no.	Qty	Description
1	63431A	1	WLDMT. FRAME PNTD ENCORE 20BT
2	87607A	1	WASHER FLT 1.25X.52X.06 NYLON
4	85811A	7	BOLT 5/16 18 X 3/4 HX HD
5	85727A	3	SCR 3/8 16 X 1 HEX HEAD SS
6	85836A	1	SCREW 3/8 16X2 HEX HD. ZINC
7	87031A	8	WASHER FLAT 3/8 S.S.
8	920110	7	NUT LK 5/16 18 REGPLTD
9	87616A	4	WASHER FLT 1.00X.75X.06 NYLON
10	61436B	2	WHEEL NON TRAVERSE 8
11	60535A	1	AXLENON TRAVERSE WLDMT
12	57423A	2	RING RETAINING .75 SHAFT ENC20
13	81105A	4	NUT 3/8 16 ESNA TYPE SS
14	962620	2	SCR 5/16 24 X 3/4 HEX ST CAP
15	980652	2	WASHER LK 5/16 REGPLTD
16	980205	2	WASHER .312 ID/1.06 OD/.075THK
17	61675A	1	CASTER ENCORE 20BT
18	61252A	1	BRACKET SQUEEGEE SWIVEL
19	61433A	1	SPACER SQUEEGEE SWIVEL
20	85391A	1	SCR 1/4 20X 5/8 PN SY
21	608210	1	SPACER HANDLE BOLT
22	51516A	1	BUSHING TOP 2000 PV
23	980651	4	WASHER 5/16 SAE FLAT
24	81112A	1	NUT 5/16 18 THIN ESNA S.S.
25	85814A	1	SCREW 5/16 18 X 1 1/4 HX HD

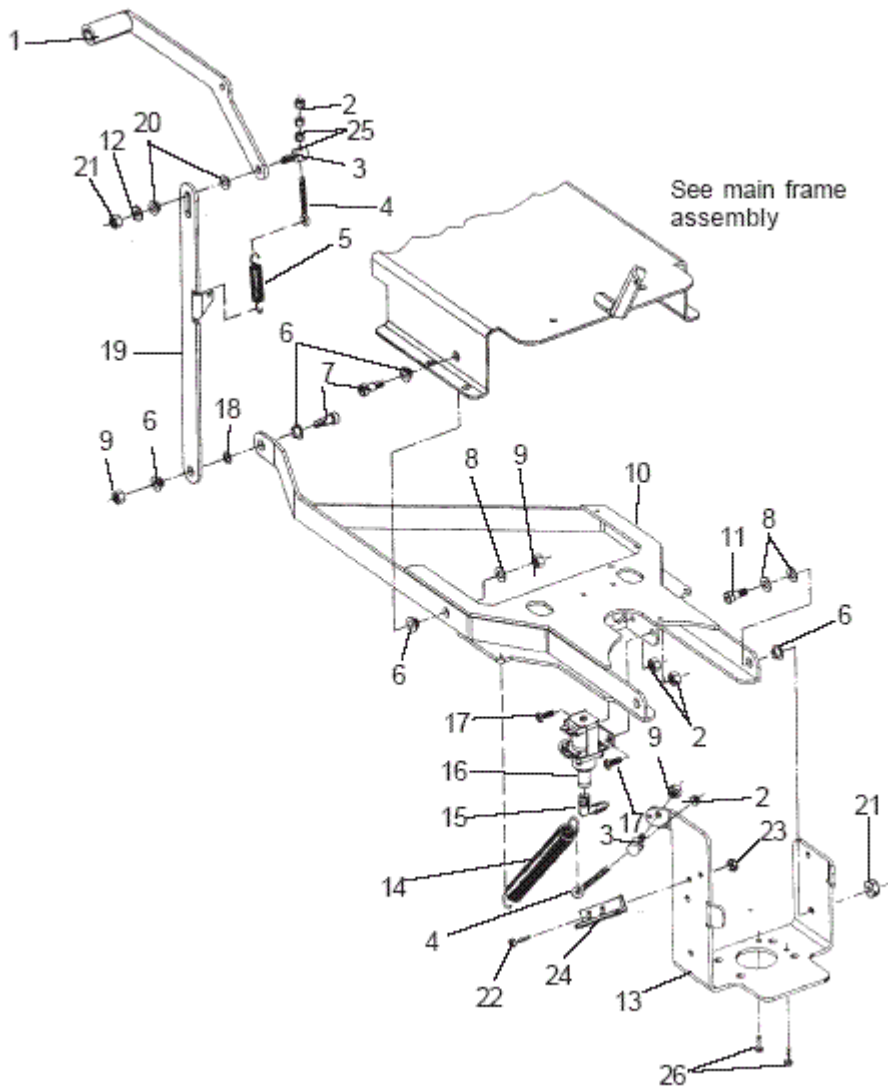
Brush Lift

ENCORE 20 S / 20 L

17-10-2012

Part List ID
ENCORE20SL08

20



Brush Lift

ENCORE 20 S / 20 L

17-10-2012

Part List ID
ENCORE20SL08

21

Pos	Part no.	Qty	Description
2	81104A	4	NUT 1/4 20 ESNA TYPE SS
3	848508	2	SWIVEL BRAKE ROD
4	80042A	2	BOLTEYE 1/2I.D.1/4 20 THRD.
5	58691A	1	SPRING SANDING PRESSURE CLASSI
6	87620A	8	WASHER SHOULDER .375 ID NYLON.
7	80041A	3	BOLT SHOULDER 3/8 X 3/8 PLTD.
8	87618A	6	WASHER FLT .75X.39X.62 NYLON
9	920181	4	NUT 5/16 18 ESNA
10	63432A	1	WLDMT. FRAME BRUSHLIFT ENC20
11	80040A	2	BOLT SHOULDER 3/8 X 3/8 PLTD
12	980692	1	WASHER 5/16 FLAT SS
13	69861A	1	BRACKETBRUSH MOTOR ENCORE 20
14	56493A	1	SPRING SQUEEGEE PRESSURE AUTO
15	51526A	1	HOSEBARB 3/8 X 90 DEG
16	59610A	1	VALVE ELEC.SOLUTION FLOW 24VDC
17	85391A	2	SCR 1/4 20X 5/8 PN SY
18	87619A	1	WASHER FLT .63X.38X.03 NYLON
19	60207A	1	LINKBRUSH LIFT ENCORE 20
20	87621A	2	WASHER SHOULDER .328 ID NYLON.
21	81112A	3	NUT 5/16 18 THIN ESNA S.S.
22	962798	2	SCR 10 24X 1/2 PN SS
23	81110A	2	NUT HEX ELASTIC LOCK 10 24 S.S
24	64239A	1	PLATEDEFLECTOR PLTD. ENC.20
25	608210	1	SPACER HANDLE BOLT
26	962554	2	SCR 1/4 28X 1/2 HX ST MACH

Brush housing

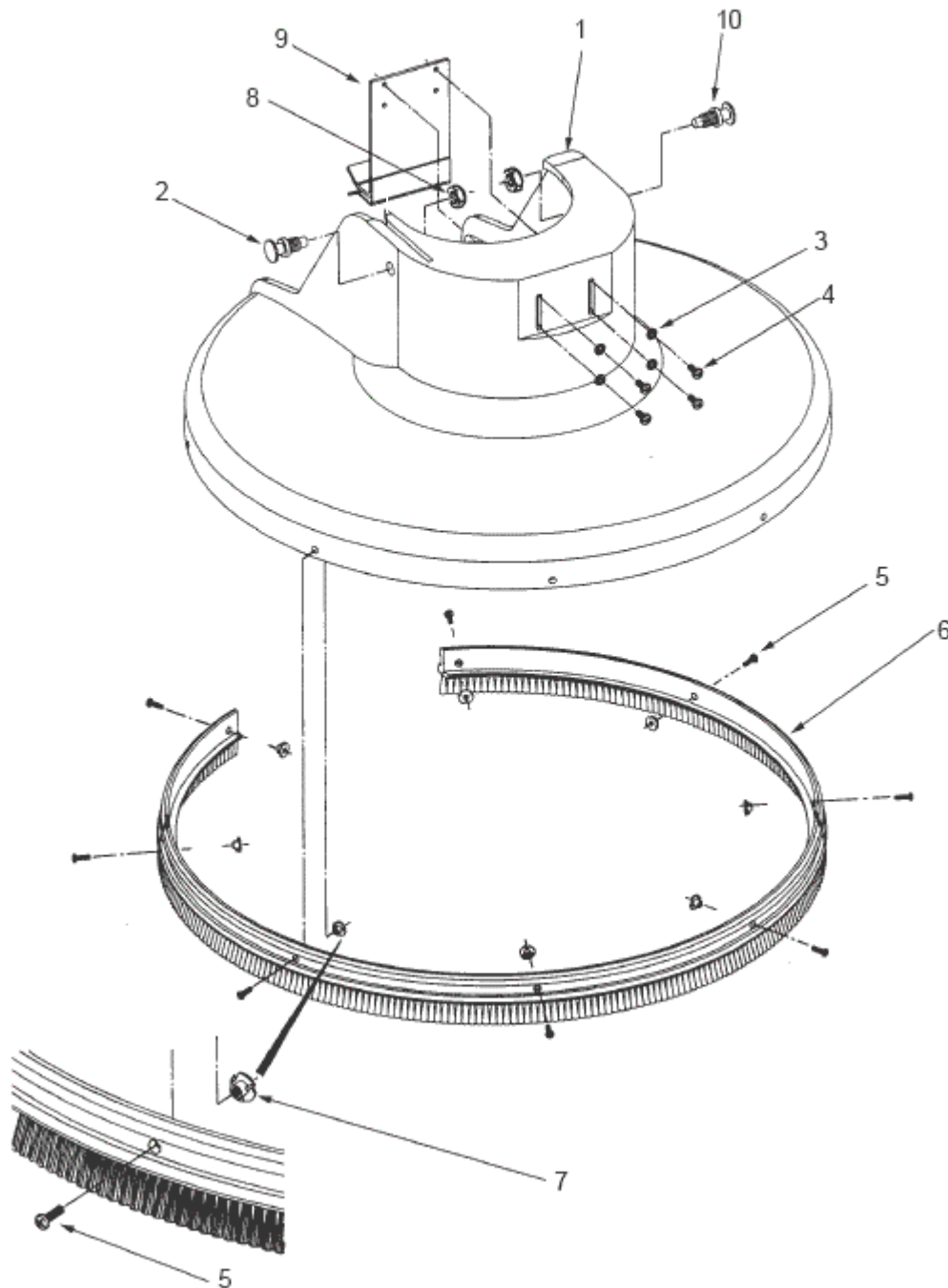
ENCORE 20 S / 20 L

17-10-2012

Part List ID
ENCORE20SL09

22

CLARK TECHNOLOGY
Encore S20/L20
Brush Housing Assembly Drawing and Parts List 7/02
Drawing # 11447A



Brush housing

ENCORE 20 S / 20 L

17-10-2012

Part List ID
ENCORE20SL09

23

Pos	Part no.	Qty	Description
1	30255A	1	HOUSING BRUSH ENCORE 20
2	636706	1	PIN ASSY DISCONNECT
3	980603	4	WASHER LK 10 EXT TOOTHPLTD
4	962798	4	SCR 10 24X 1/2 PN SS
5	84237A	8	SCREW 10 32 X 1/2 PAN HD SS
6	38241A	1	SKIRT BRUSH HOUSING ENCORE 20
7	82004A	8	NUT TEE 10 32 PLTD
8	920278	2	NUT 1/2 20 JAM SS
9	62438A	1	CLAMP BRUSH HSG. WLDMNT ENC20
10	66550A	1	PIN ASM.DISCONNECT ENCORE 20

Transaxle repair parts 4/01

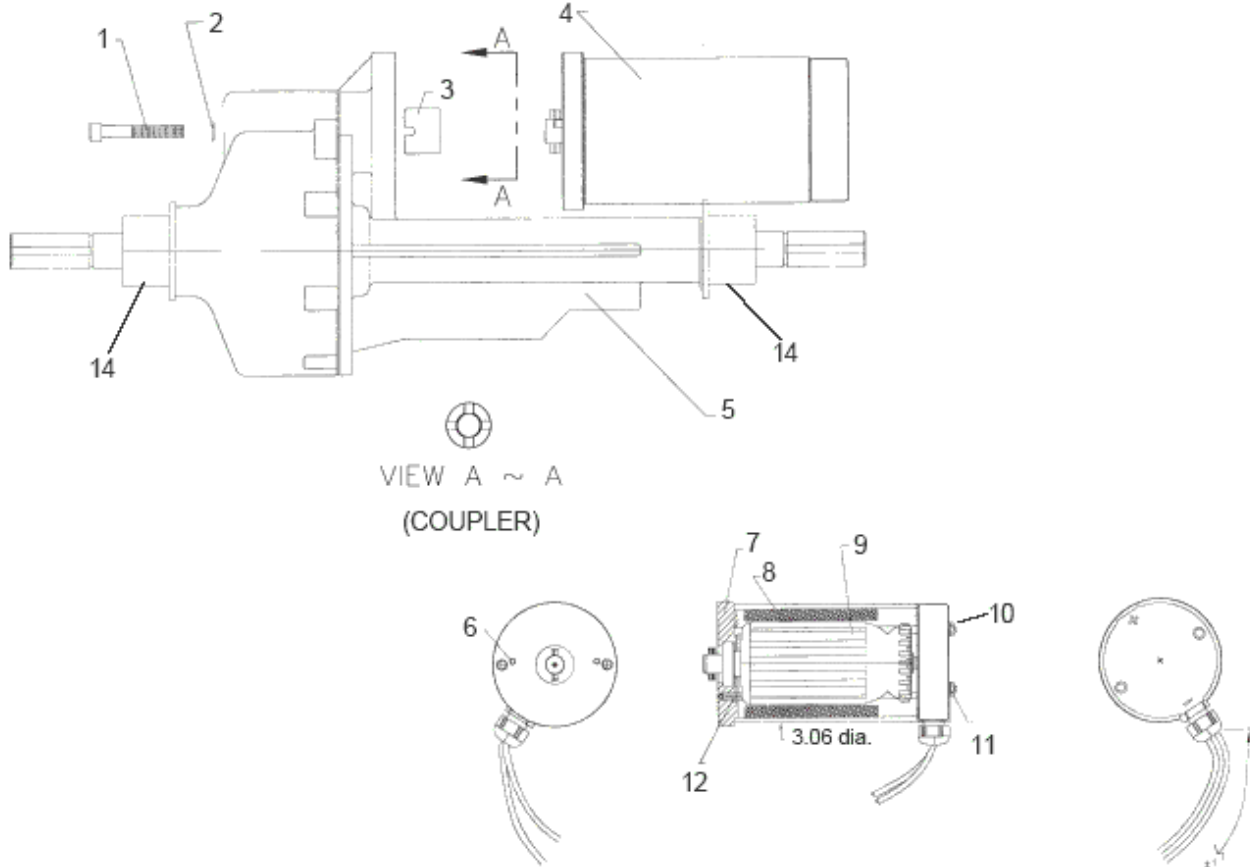
ENCORE 20 S / 20 L

17-10-2012

Part List ID
ENCORE20SL10

24

CLARKE TECHNOLOGY Encore L20 Transaxle Repair Parts 4/01



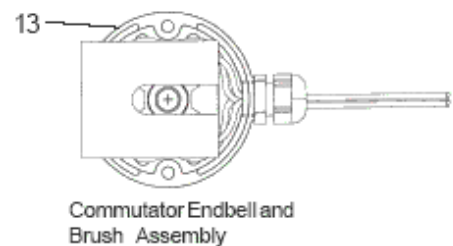
Ref #	Part No.	Description	Qty.
1		Screw, 1/4-20	-
2		Washer, 1/4 Lock	-
3	52660A	Coupler	1
4	45044A	Motor	1
5	69189A	Transaxle Gearbox Assembly	1
6		Pin, Dowel	-
7		End Plate, Output	-
8		Magnet and Housing Assembly	-
9		Armature and Bearing Assembly	-
10		Washer, #10 Lock	-
11		Nut 10-32	-
12		Stud	-
13	52940A	Commutator End Bell & Brush Asm.	1
14	51202A	Mount, Bushing	2

Torque #1 80 inch pounds

Torque #11 40-45 inch pound tooth nuts

#12 Loctite #262

NOTE: Transaxle unit is sealed. No lubrication required



Installation Instructions:

1. With motor still fastened to transaxle gearbox, remove old endbell by backing off the two 10-32 nuts and removing the lock washers. Slide endbell off motor.
2. Assemble new commutator endbell and brush assembly by sliding it over shaft and motor studs until brush retaining clip bottoms out. Holding endbell still, slide retaining clip out from between the brushes and commutator. Push the endbell on the rest of the way until endbell casting bottoms on the motor frame. Replace the lock washers and nuts and torque the nuts 40-45 in.-lbs.

Transaxle repair parts 4/01

ENCORE 20 S / 20 L

17-10-2012

Part List ID
ENCORE20SL10

25

Pos	Part no.	Qty	Description
3	52660A	1	COUPLERTRANSAXLE FOR 69165A
4	45044A	1	MOTOR TRANSAXLE FOR 69165A
5	69189A	1	GEARBOX ASM.TRANSAXLE 69165A
13	52940A	1	BRUSH ASM.COM ENDFOR 69165A
14	51202A	2	MOUNT BUSHING

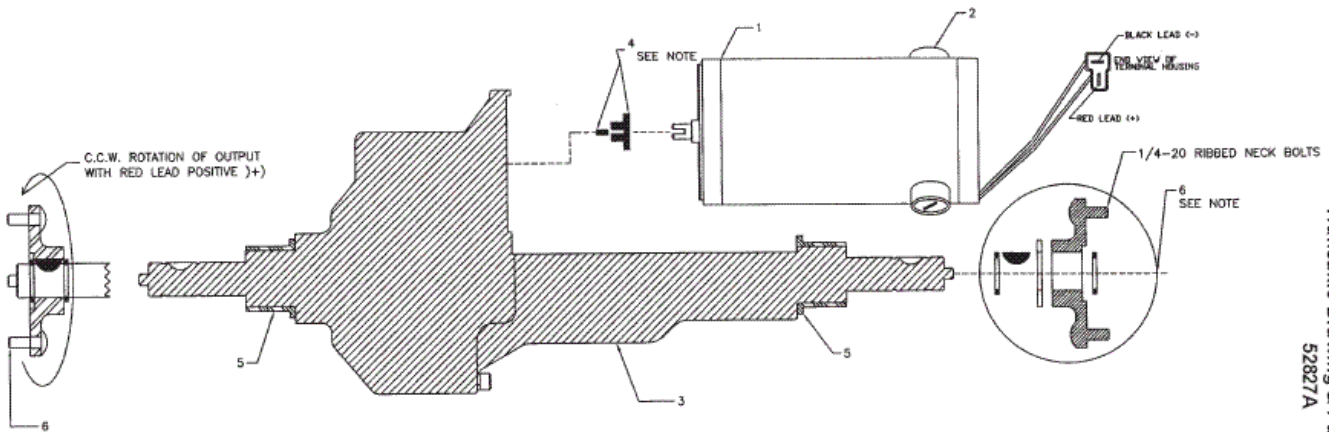
Transaxle Drawing & Parts List 2/03

ENCORE 20 S / 20 L

17-10-2012

Part List ID
ENCORE20SL11

26



NOTE:

ITEM #4 INCLUDES THE FOLLOWING PARTS:

- (1) MOTOR COUPLER
- (1) MOTOR KEY

ITEM #6 INCLUDES THE FOLLOWING PARTS:

- (2) SNAP RINGS
- (1) WOODRUFF KEY
- (1) WHEEL FLANGE
- (4) 1/4-20 X 1" LONG RIBBED CARRIAGE BOLTS
- (1) 0.010" THICK SHIM

6	10135A	WHEEL HUB KIT	2
5	51056A	MOUNT, BUSHING	2
4	509B3A	COUPLER, TRANSAXLE	1
3	40577A	GEARBOX ASM., TRANSAXLE	1
2	40578A	BRUSH ASM., COM END	1
1	40578A	MOTOR, TRANSAXLE	1
REF. #	CLARKE P/N	DESCRIPTION	QTY
PARTS LIST			

CLARKE TECHNOLOGY
 Encore S20/L20
 Transaxle Drawing & Parts List 2/03
 52827A

Transaxle Drawing & Parts List 2/03

ENCORE 20 S / 20 L

17-10-2012

Part List ID
ENCORE20SL11

27

Pos	Part no.	Qty	Description
	10135A	2	FLANGE WHEEL KITENCORE 2426
	40577A	1	GEARBOX ASM FOR TRANS 52827A
	40578A	1	BRUSH CARBON SET FOR 52827A
0	40579B	1	MOTOR FOR TRANSAXLE 52827B
	50983A	1	COUPLERMTR DRIVE 50967A
	51056A	2	SLEEVE ELASTOMERIC

Brush Motor

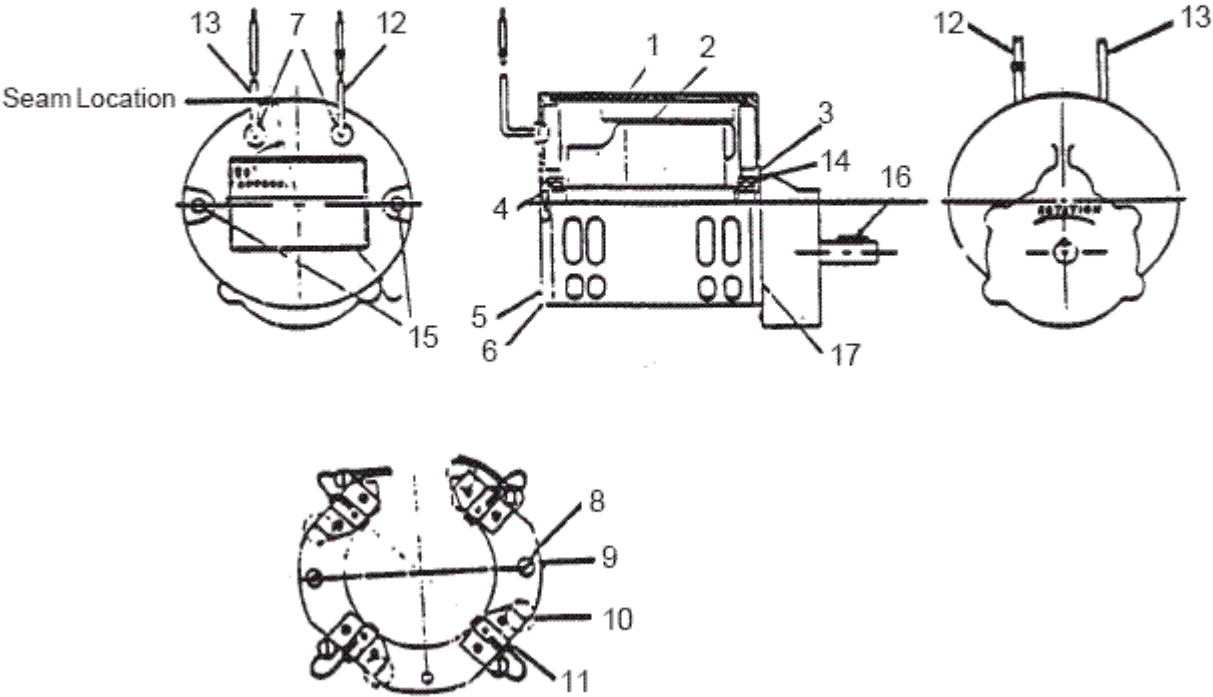
ENCORE 20 S / 20 L

17-10-2012

Part List ID
ENCORE20SL12

28

CLARKTECHNOLOGY
Encore S20/L20
Brush Motor Drawing & Parts List 4/01
Motor Asm. 44809B



Brush Motor

ENCORE 20 S / 20 L

17-10-2012

Part List ID
ENCORE20SL12

29

Pos	Part no.	Qty	Description
1	56478A	1	STATOR ASM. FOR MTR 44809A
2	50142A	1	ARMATURE ASM. 1700/2000
3	902654	1	BEARING BALL 6204
4	902550	1	BEARING BALL 6203
6	50520A	1	BRACKET COMMUTATOR 1700/2000
7	56480A	2	STRAIN RELIEF MOTOR 1700/2000
8	962546	2	SCR 10 24X 1/2 PN ST TYP23
9	50517A	1	BOARD ASM. BRUSH 1700/2000
10	448396	4	SPRING BRUSH 571001
11	40826A	4	BRUSH ASM.CARBON V32I/26I/38I
12	55657A	1	LEAD ASM POSTIVE FOR MTR NO.44
13	55656A	1	LEAD ASM NEGATIVE FOR MTR NO.4
15	50515A	2	BOLTTHRU 1/4 20 X 7 5/8 HEX H
16	80501A	1	KEY MTR SHAFT 3/16SQ X 1 1/4L
17	54238A	1	GEARBOX ASSEMBLY 1700/2000

Gearbox assembly

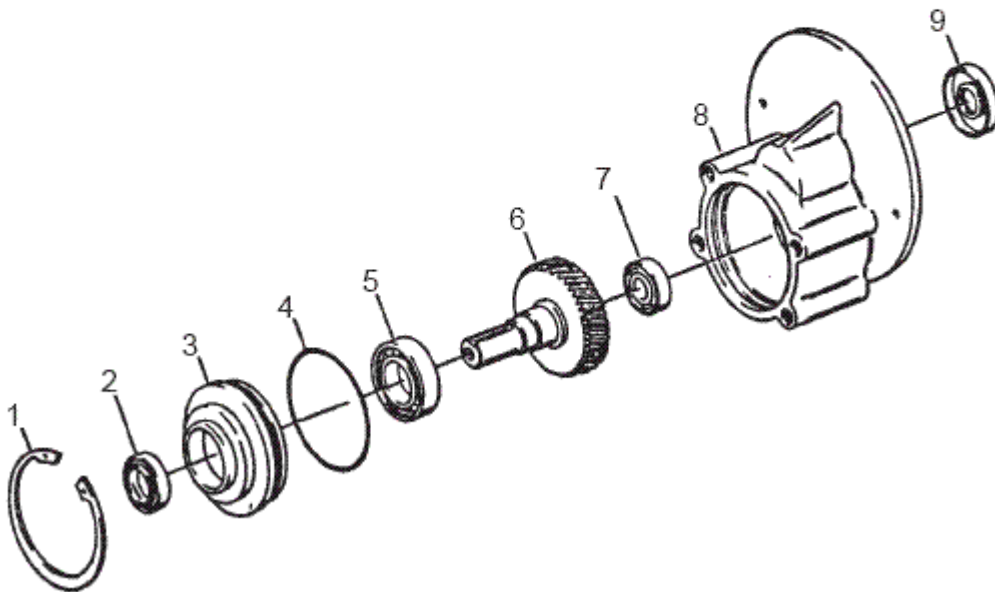
ENCORE 20 S / 20 L

17-10-2012

Part List ID
ENCORE20SL13

30

CLARKETECHNOLOGY
Encore S20/L20
Gearbox Assembly Drawing and Parts List 7/97
Form #54238A



Gearbox assembly

ENCORE 20 S / 20 L

17-10-2012

Part List ID
ENCORE20SL13

31

Pos	Part no.	Qty	Description
1	57846A	1	RING KITSNAPINTERNALGEARBOX
2	507641	1	SEALOIL 0.875 X 1.375 X 0.250
3	52050A	1	CAP END GEAR BOX 1700/2000
4	56668A	1	O RING GEARBOX 1700/2000
5	51176A	1	BEARING BALL 6005 SERIES
6	58316A	1	SHAFT AND GEAR GEARBOX 1700/2
7	902605	1	BRG 710 730 TB16 TB18
8	54883A	1	HOUSING GEARBOX 1700/2000
9	58144A	1	SEAL OIL 1.628 OD X .75 ID X

Vacuum Motor

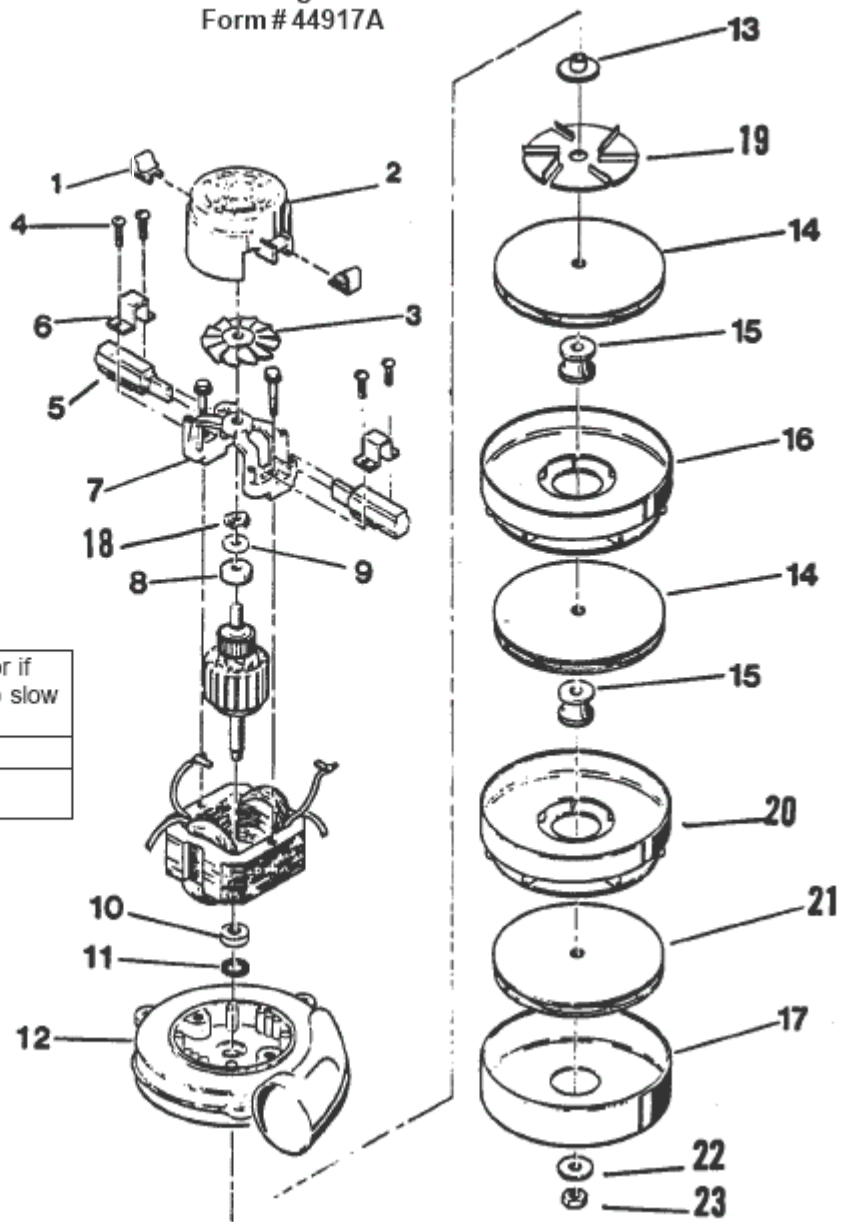
ENCORE 20 S / 20 L

17-10-2012

Part List ID
ENCORE20SL14

32

CLARKE TECHNOLOGY Encore S20/L20
Vacuum Motor Model
Drawing 4/01
Form # 44917A



* Recommended Brush Replacement

1 st	Replace at 800 hours or if vacuum motor runs too slow to pick up water
2 nd	50% of 1 st
3 rd	33% of 1 st

Vacum Motor

ENCORE 20 S / 20 L

17-10-2012

Part List ID
ENCORE20SL14

33

Pos	Part no.	Qty	Description
2	54809A	1	HOUSING
4	85303A	4	SCREW 8 32 X 3/8 PN ST PH
5	40817A	2	BRUSH CARBON 2000B VAC MOTOR1
7	50618A	1	BRACKET-END COMM.
11	59803A	1	WASHER NEOPRENE 685202 4
14	53914A	2	FAN
15	658201	2	SPACER

Battery Charger

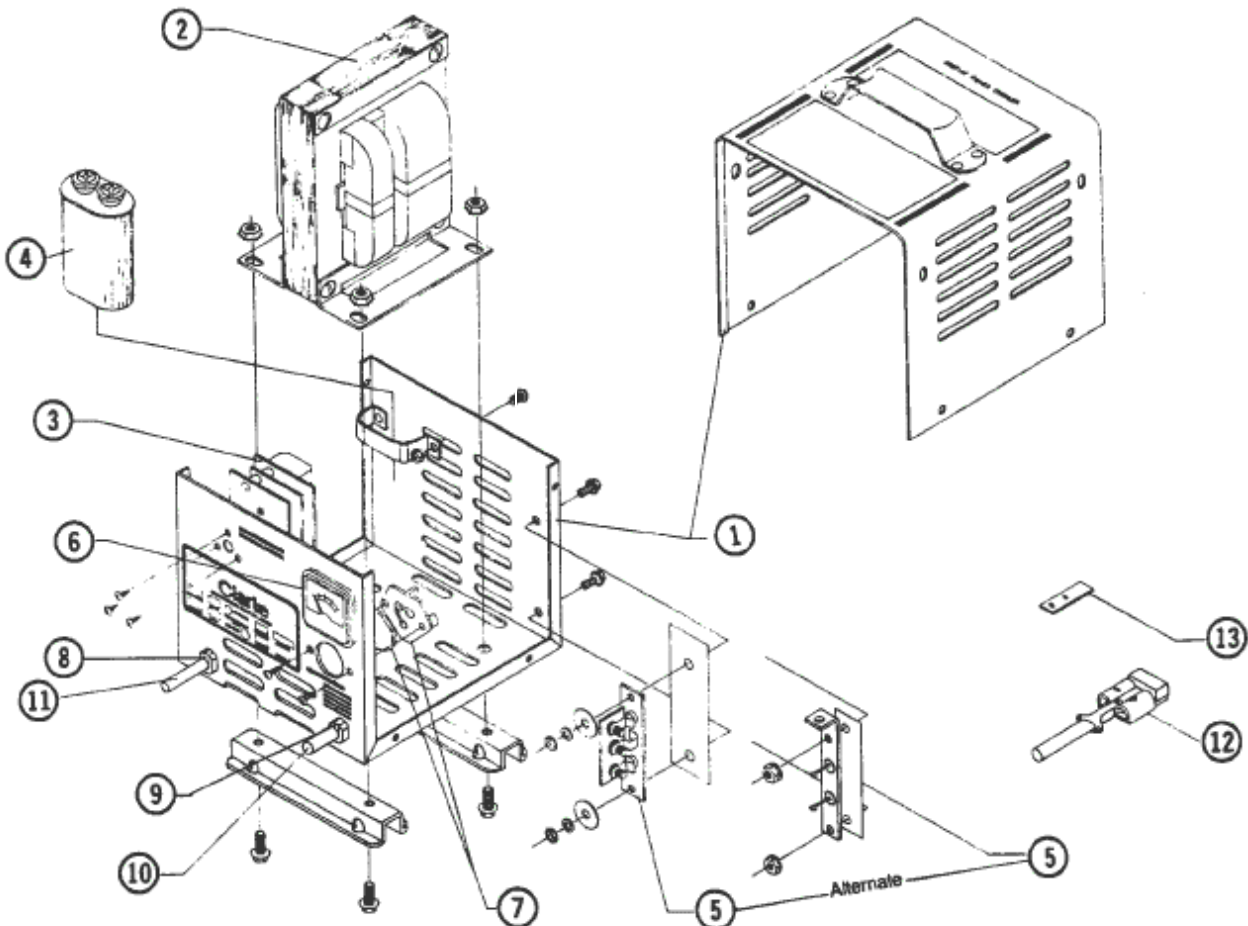
ENCORE 20 S / 20 L

17-10-2012

Part List ID
ENCORE20SL15

34

CLARKTECHNOLOGY
Encore S20/L20
Battery Charger Drawing and Parts List 7/97



WARNING: All electrical repairs must be performed by qualified personnel only.

Charger #40512A: 24 volt, 25 amp D.C., 115 volt, A.C., 60 Hz.

Charger #40513A: 24 volt, 25 amp D.C., 230 volt, A.C., 50 Hz

Ref. No.	Description	Charger 40512A	Charger 40513A
1	Charger Case	41129A	* -----
2	Transformer	* -----	48409A
3	Electronic Controller Kit	47500A	48200A
4	Capacitor, 660 V.A.C.	912132	912132
5	Heat Sink Assembly	912212	912212
6	Ammeter	40200A	40200A
7	Fuse Holder	912382	912382
8	Strain Relief, A.C. Cord	* -----	* -----
9	Strain Relief, D.C. Cord	747553	747553
10	D.C. Cord Assembly	51986A	51986A
11	A.C. Cord Assembly	51974A	908947
12	Housing, Red	911470	* -----
13	D.C. Plug Lock Key	795020	795020

* NOTE: Parts not available at this time.

Battery Charger

ENCORE 20 S / 20 L

17-10-2012

Part List ID
ENCORE20SL15

35

Pos	Part no.	Qty	Description
1	41129A	1	ASM-MODEL 13080 CASE
3	48200A	1	TIMER ELECTRONIC SMART
4	912132	1	CAPACITOR 6 MFD
5	912212	1	HEAT SINK ASM W/DIODES
6	40200A	1	AMMETER DC 0 35 AMPS
7	912382	1	FUSE ASS Y 832415 4
9	747553	1	STRAIN RELIEFSR7W2 CM20
10	51986A	1	CORD SETDC W/PLUG KEY
11	51974A	1	CORD 78 POWER FOR 40503A 6
11	908947	1	CORD ASM-AC 230V LESTER 9108
12	911470	1	HOUSINGCONNECTORRED 24V
13	795020	1	KEY CHARGER PLUG SPS 28

Electronic solution valve kit without shut-off

17-10-2012

Part List ID
ENCORE20SL16

36

ENCORE 20 S / 20 L

CLARKE TECHNOLOGY

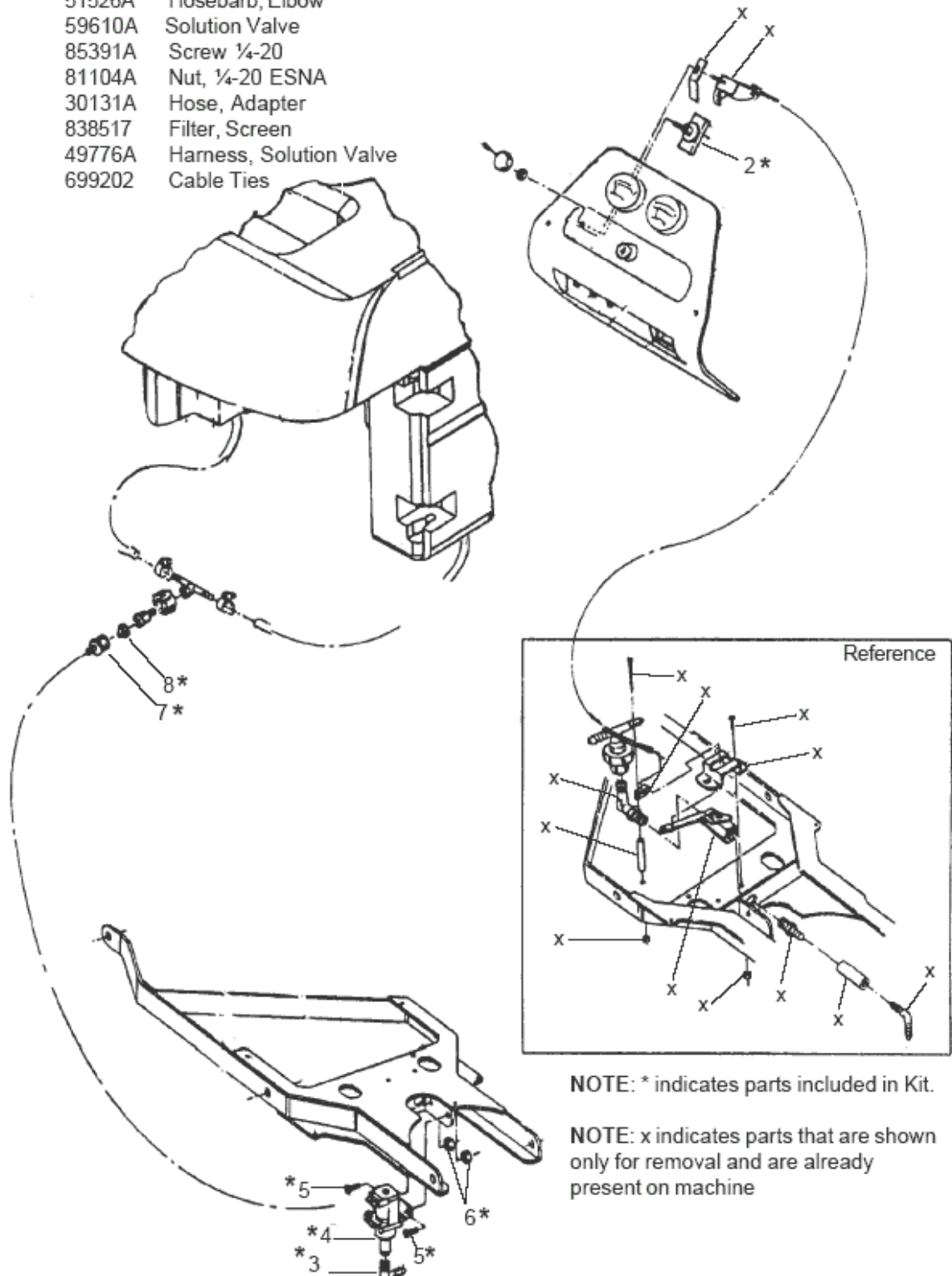
Encore S20 Drawing & Parts List

Electronic Solution Valve Kit 10669A 8/04

(this diagram is for models without Solution Shut-Off)

Parts included in Kit:

Ref #	Qty	Part No.	Description
1	1	53619A	Hosebarb, 3/8 x 1/4 NPT (for use on models w/shut-off valve only)
2	1	44308A	Solution Control Module
3	1	51526A	Hosebarb, Elbow
4	1	59610A	Solution Valve
5	2	85391A	Screw 1/4-20
6	2	81104A	Nut, 1/4-20 ESNA
7	1	30131A	Hose, Adapter
8	1	838517	Filter, Screen
NI	1	49776A	Harness, Solution Valve
NI	6	699202	Cable Ties



NOTE: * indicates parts included in Kit.

NOTE: x indicates parts that are shown only for removal and are already present on machine

Electronic solution valve kit without shut-off

ENCORE 20 S / 20 L

17-10-2012

Part List ID
ENCORE20SL16

37

Pos	Part no.	Qty	Description
1	53619A	1	ADAPTOR 3/8 BARB X 1/4 NPT NYL
2	44308B	1	MODULATOR SOL.FLOWENCORE2426
3	51526A	1	HOSEBARB 3/8 X 90 DEG
4	59610A	1	VALVE ELEC.SOLUTION FLOW 24VDC
5	85391A	2	SCR 1/4 20X 5/8 PN SY
6	81104A	2	NUT 1/4 20 ESNA TYPE SS
7	30131A	1	ADPTR.HOSE 3/4M.GHTX1/4M.NPT
8	838517	1	SCREEN HOSE WASHER
NI	49776A	1	HARNESSENCORE S20 ELEC. SOL.
NI	699202	6	TIE WIRE 935A

Electronic solution valve kit with shut-off

17-10-2012

Part List ID
ENCORE20SL17

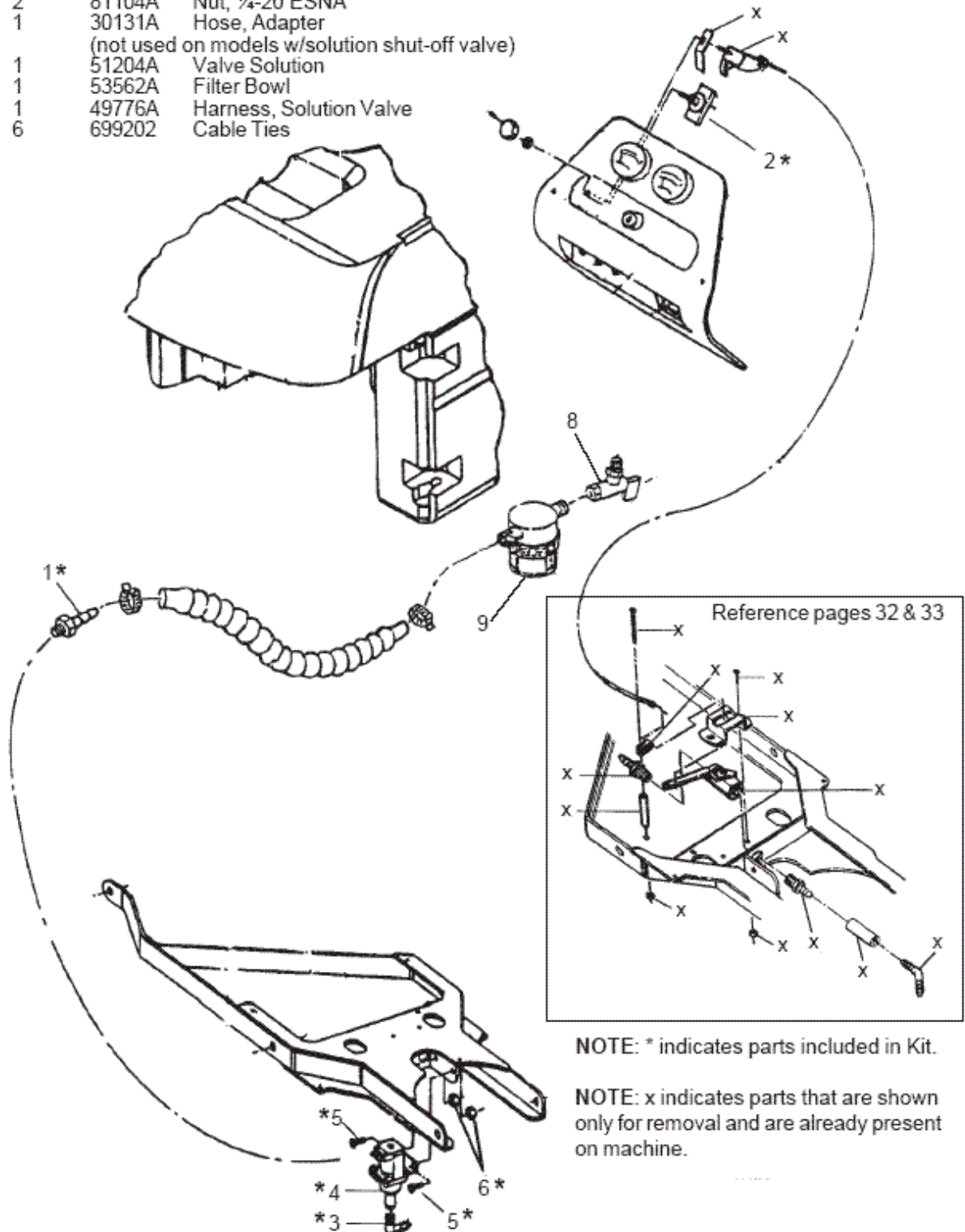
ENCORE 20 S / 20 L

38

CLARKE TECHNOLOGY
Encore S20 Drawing & Parts List
Electronic Solution Valve Kit 10669A 8/04
(this diagram is for models with Solution Shut-Off)

Parts included in Kit:

Ref #	Qty	Part No.	Description
1	1	53619A	Hosebarb, 3/8 x 1/4 NPT
2	1	44308A	Solution Control Module
3	1	51526A	Hosebarb, Elbow
4	1	59610A	Solution Valve
5	2	85391A	Screw 1/4-20
6	2	81104A	Nut, 1/4-20 ESNA
7	1	30131A	Hose, Adapter (not used on models w/solution shut-off valve)
8	1	51204A	Valve Solution
9	1	53562A	Filter Bowl
NI	1	49776A	Harness, Solution Valve
NI	6	699202	Cable Ties



Electronic solution valve kit with shut-off

ENCORE 20 S / 20 L

17-10-2012

Part List ID
ENCORE20SL17

39

Pos	Part no.	Qty	Description
1	53619A	1	ADAPTOR 3/8 BARB X 1/4 NPT NYL
2	44308B	1	MODULATOR SOL.FLOWENCORE2426
3	51526A	1	HOSEBARB 3/8 X 90 DEG
4	59610A	1	VALVE ELEC.SOLUTION FLOW 24VDC
5	85391A	2	SCR 1/4 20X 5/8 PN SY
6	81104A	2	NUT 1/4 20 ESNA TYPE SS
7	30131A	1	ADPTR.HOSE 3/4M.GHTX1/4M.NPT
8	51204A	1	VALVE 3/8NPT MALE/FEMALE
9	53562A	1	FILTER BOWL 3/8MNPT X 3/8 HOSE
NI	49776A	1	HARNESSENCORE S20 ELEC. SOL.
NI	699202	6	TIE WIRE 935A

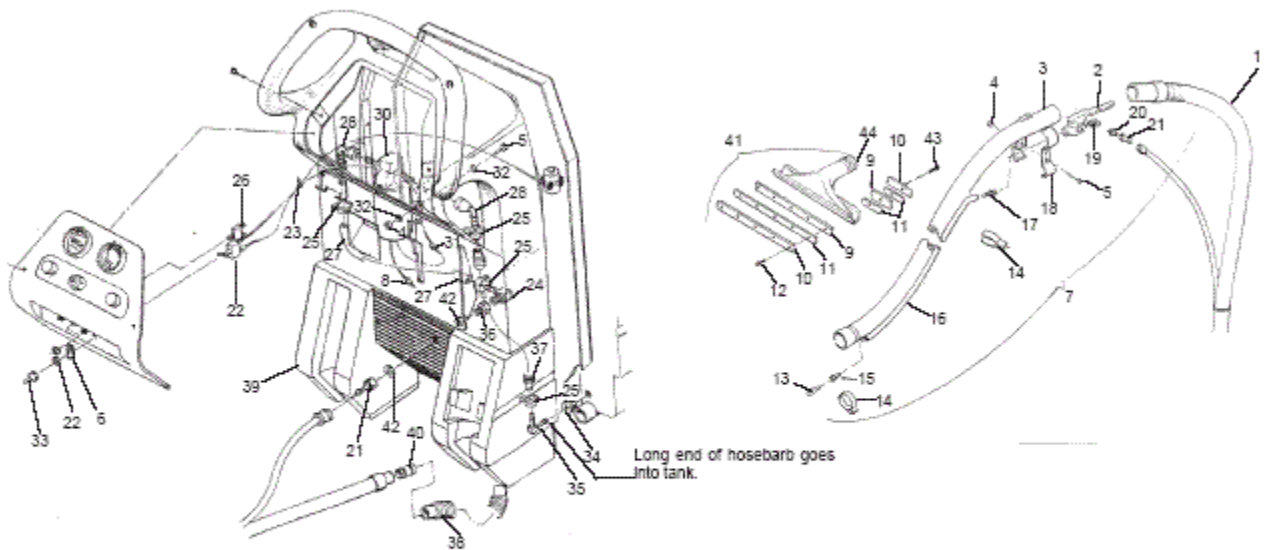
Powerwand kit 10662A

ENCORE 20 S / 20 L

17-10-2012

Part List ID
ENCORE20SL19

40



Powerwand kit 10662A

ENCORE 20 S / 20 L

17-10-2012

Part List ID
ENCORE20SL19

41

Pos	Part no.	Qty	Description	
1	59232A	1	HOSE ASSYVAC SOL 10	
2	699450	1	VALVE SOL 1/4 905 RM9	
3	639804	1	WAND ASSEMBLY CURVED 1 1/2	
4	920296	6	NUT 10 24 ELASTIC STOP	
6	646302	1	SWITCH PLATE	
7	19518A	1	WAND ASM HARD FLOOR ONLY	
9	30916A	2	BLADE SQUEEGEE 14.5	
10	682012	2	CLAMP 14 SQUEEGEE 96	
11	30917A	3	BLADE SQUEEGEE 15	
12	84200A	5	SCREW 8 32 X 1/2 FH ST PH	
13	54149A	1	NOZZLE SPRAY VISION POWER WA	
14	722195	4	CLIP HOSE 914	
15	50301A	1	ADAPTOR 1/4 HOSE TO 1/8 FPT	
16	30421A	1	HOSE WAND POWER WAND KIT	
17	720271	1	HOSEBARB1/4H X 1/4NPT MALE	
18	62426A	2	CLAMP VALVE POWER WAND KIT	
19	722824	1	ELBOW 1/4 45 ST BRASS	
20	697501	1	REDUCER 1/4 NPT TO 1/8 NPT	
21	737140	2	QUICK DISCONNECT 7809 915 1/8	
22	47320A	1	SWITCHTOGGLE	
24	53607A	1	ELBOW 1/4 NPT X 3/8 HOSE	
25	722021	4	CLAMPHOSE 4	
26	41431B	1	BREAKER CIRCUIT 35A SCR.90 DEG	
28	692870	2	ELBOW SWIVEL BARB 937A	
30	45937A	1	PUMP 24V 21I/V	
31	911933	1	TERMINALRING 10 16 14 GAUGE	
32	980643	8	WASHER 7/16ODX.036THK	
33	751321	1	BOOTTOGGLE SWITCH 1/2	
34	51518A	1	BUSHING HOSE CONNECTOR	
35	51526A	1	HOSEBARB 3/8 X 90 DEG	
36	727595	1	REDUCER BRASS RINSE WAND 1/4FP	
37	35138A	1	HOSE SOLN TANK	
40	682408	1	HOSE CONNECTOR 1 1/2 TB60/80	
41	638828	1	TOOL SQUEEGEE 14 1 1/2	#41 includes- #s 9-12, 29, 43
42	980673	2	WASHER FLT 1/2 ID X 7/8 OD	
43	962122	5	SCR 8 32 X 5/8 FT HD	
44	639002	1	TUBE ADAPTOR	
NI	699202	12	TIE WIRE 935A	

Brush & Hour Meter kit

ENCORE 20 S / 20 L

17-10-2012

Part List ID
ENCORE20SL20

42

CLARKETECHNOLOGY
Encore S20 Parts List
Brush Meter Kit 10667A

Parts included in Kit:

1	40218A	Brush Meter
1	79045A	Instruction Sheet
1	49775A	Brush Meter Harness
1	699202	Cable Ties

CLARKETECHNOLOGY
Encore S20 Parts List
Hour Meter Kit 10656A

Kit includes:

<u>Part No.</u>	<u>Description</u>	<u>Qty.</u>
43202A	Harness, Hour Meter	1
912226	Meter, Hour	1

Brush & Hour Meter kit

ENCORE 20 S / 20 L

17-10-2012

Part List ID
ENCORE20SL20

43

Pos	Part no.	Qty	Description
1	40218A	1	METER BRUSH MOTOR ENCORE 20
4	699202	1	TIE WIRE 935A
11	912226	1	METER HOUR 12V DC

Rear panel for machines with 41150B Traverse co

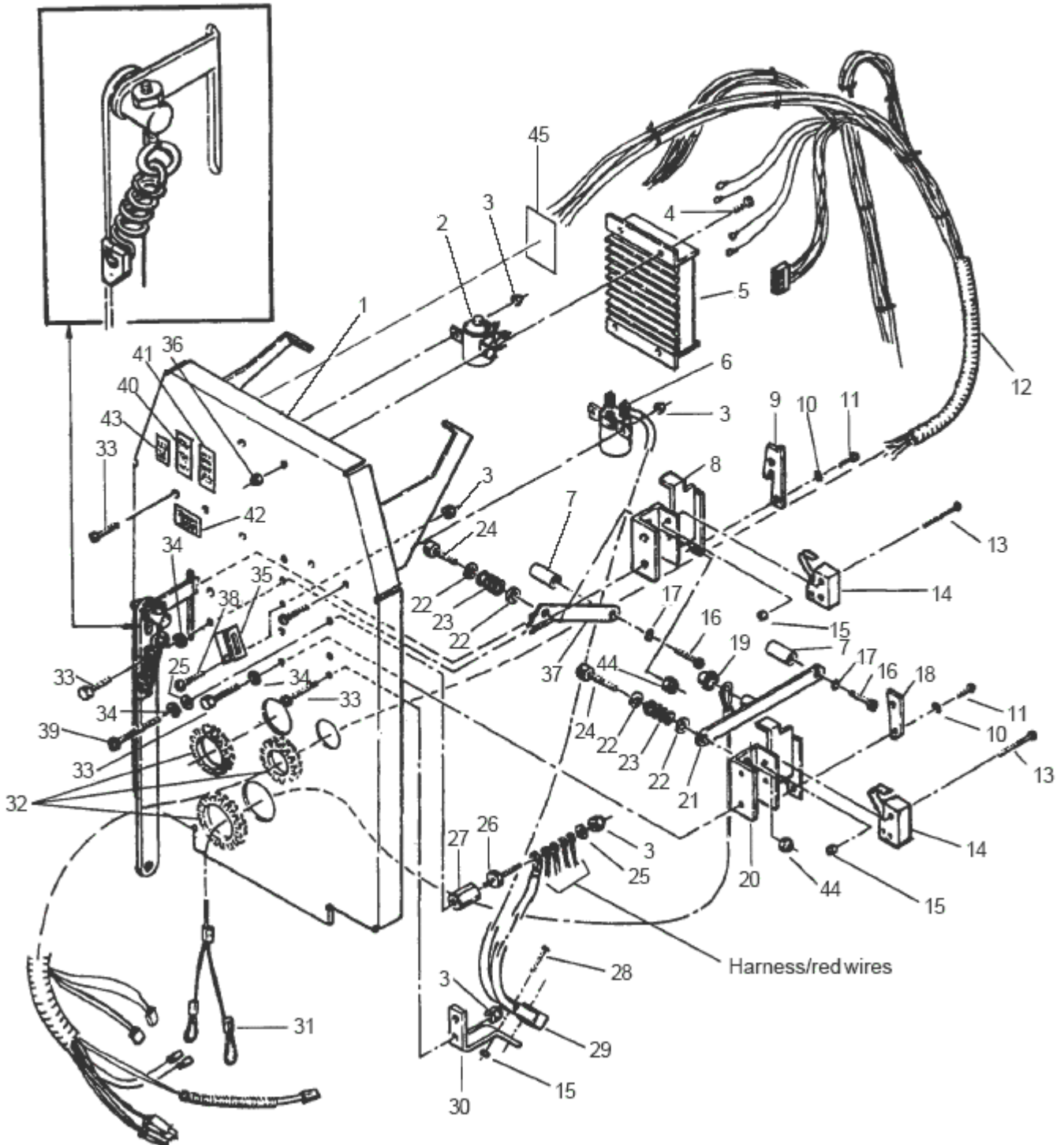
17-10-2012

Part List ID
ENCORE20SL21

44

CLARKE TECHNOLOGY
Encore S20/L20

Rear Panel Assembly Drawing 11/01
(for machines with a 41150B traverse controller)



Rear panel for machines with 41150B Traverse c

ENCORE 20 S / 20 L

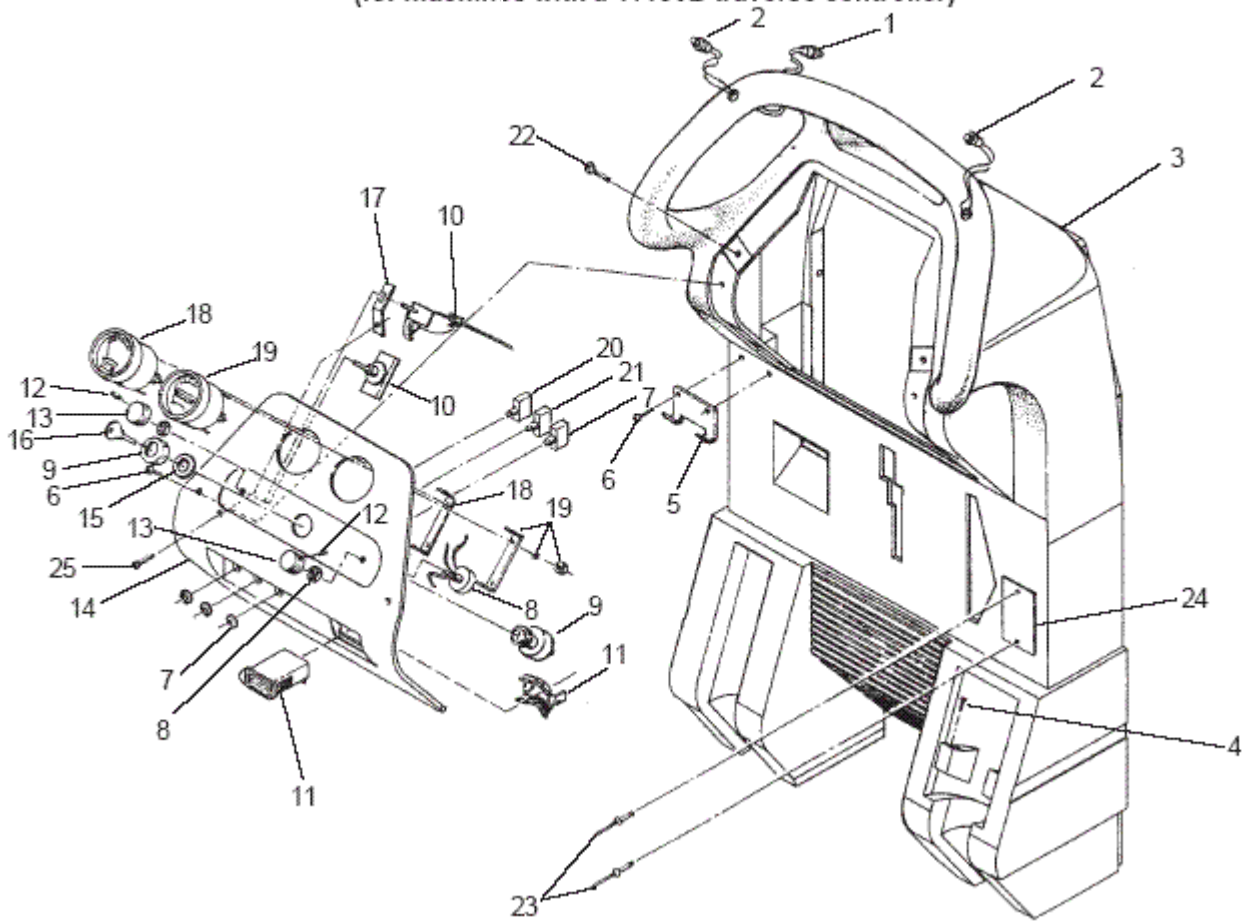
17-10-2012

Part List ID
ENCORE20SL21

45

Pos	Part no.	Qty	Description	
1	66228A	1	PLATEBACK ENCORE 20BT	
2	878514	1	TB18 SOLENOID RBM 24V	
3	81104A	9	NUT 1/4 20 ESNA TYPE SS	
4	962798	4	SCR 10 24X 1/2 PN SS	FOR L20 ONLY
5	41150B	1	CONTROLTRAVERSE24VDC	FOR L20 ONLY
6	41810A	1	CONTACTOR 24VDC 26L	
7	64490A	2	HANDLE SQUEEGEE LIFT VISION	
8	68789A	1	WLDMT.BRUSH LIFT LATCH ENC20	
9	64231A	1	PLATE WEAR BRUSH PNTD ENC 20	
10	980603	4	WASHER LK 10 EXT TOOTHPLTD	
11	962546	4	SCR 10 24X 1/2 PN ST TYP23	
12	49765A	1	HARNESS WIRING ENCORE 20BT	FOR L20 ONLY
12	49766B	1	HARNESS WIRING ENCORE S 20	FOR S20 ONLY
13	85601A	4	SCREW 6 32 X 1 1/4 PAN HEAD	
14	47388A	2	SWITCH ASM. VAC 26/32 VISION	
15	920056	6	NUT 6X32 ELASTIC STOP	
16	85389A	2	SCR 3/8 16X 5/8 PN SY	
17	980666	2	WASHER 3/8 EXT. STAR	
18	68643A	1	PLATE WEAR PNTDVISION 26/3	
19	920346	1	PALNUT PW500015 TYPE W	
20	61260A	1	BRACKET WELDMENT SQUEEGEE PNT	
21	64901A	1	HANDLE SQUEEGEE LIFT WLDMNT	
22	980692	4	WASHER 5/16 FLAT SS	
23	438360	2	SPRING ADJUSTER LIFT	
24	80028A	2	BOLT SHOULDER 5/16 X 1	
25	87026A	2	WASHER .250 FLAT SS	
26	83302A	1	STUD 1/4 20	
27	854849	1	INSULATOR RO 42/32IX/26IX	
28	962212	2	SCR 6 32X 7/8 PN ST	
29	41146A	1	CABLE ASM CONSOLE VISION 26L	
30	60676A	1	BRKT POWER CON.PLTD 32 AUTO	
31	61677A	1	CABLE SQUEEGEE LIFT ENCORE 20	
33	170915	10	SCREW 1/4 20 X 3/4 HX HDSS	
34	980657	5	WASHER LOCK 1/4 STD	
35	69858A	1	BRKT.LATCH REC.TANK ENCORE20	
36	81110A	4	NUT HEX ELASTIC LOCK 10 24 S.S	FOR L20 ONLY
37	64498A	1	HANDLE BRUSH LIFT PLTD ENC20	
38	85391A	2	SCR 1/4 20X 5/8 PN SY	
39	85395A	1	SCREW 1/4 20 X 1/2 PAN HD SS	
40	71014A	1	LABEL FALLING PARTS	
41	71015A	1	LABEL GASES CHEMICALS	
42	70302A	1	LABEL BATTERY INSTALLENCORE20	
44	81217A	2	NUT 1/4 20 X .218H NYLOCK	

CLARKE TECHNOLOGY Encore S20/L20
Electrical Cover Assembly Drawing and Parts List 6/01
(for machines with a 41150B traverse controller)



Electrical cover assembly for Machines with 411!

ENCORE 20 S / 20 L

17-10-2012

Part List ID
ENCORE20SL22

47

Pos	Part no.	Qty	Description	
1	53078B	1	SWITCH PUSH BUTTON SPDT	FOR L20 ONLY
2	53077B	2	SWITCH PUSH BUTTON SPST NO	FOR L20 ONLY
3	32406B	1	COVERREAR BLUE ENCORE 20S	
3	32415B	1	COVERREAR BLUE ENCORE 20L	FOR L20 ONLY
4	962957	2	SCREW 10 16 X 1/2 HI LO	
5	66987A	1	RETAINER HOSE HANGER ENCORE 20	
6	84237A	4	SCREW 10 32 X 1/2 PAN HD SS	
7	41433B	1	BREAKER CIRCUIT 40A SCR.90 DEG	
8	45702A	1	POTENTIOMETER ASM 5K	FOR L20 ONLY
9	47380A	1	SWITCH KEY 32DLX/STD	
10	11703A	1	CABLE SOLUTION ENCORE S20	FOR S20 ONLY
10	44308B	1	MODULATOR SOL.FLOWENCORE2426	FOR L20 ONLY
11	912226	1	METER HOUR 12V DC	FOR L20 ONLY
12	962262	2	SCREW 8 32 X 1/4 ST CUPPT	
13	55502A	2	KNOB SPEED CONTROL+TEMP CONTRL	
14	32405A	1	COVERREAR PANEL ENCORE 20	FOR L20 ONLY
14	32413A	1	COVERREAR PANEL ENCORE S20	FOR S20 ONLY
15	87052A	1	WASHER FLT 1.25X1.00X.020NYLON	
16	55413A	2	KEY 26/32 VISIONFOR 47380A S	
17	66988A	1	RETAINER CABLE ENCORE 20	FOR S20 ONLY
18	40217B	1	METER VOLT 24V ROUND WATERSHED	
19	40218A	1	METER BRUSH MOTOR ENCORE 20	FOR L20 ONLY
20	41422B	1	BREAKER CIRCUIT 25A SCR.90 DEG	FOR L20 ONLY
21	41448B	1	BREAKER CIRCUIT 30A SCR.90 DEG	
22	85518A	2	SCR 1/4 20X 3/4 PN SY TC F	
23	83010A	2	RIVET POP 1/8	
24	70080A	1	PLATE WARNINGENCORE WO/BRAKE	
24	71018A	1	PLATE WARNING	
25	85388A	1	SCREW 10 24 X 1/2 PAN TYP F	FOR S20 ONLY
NI	41069B	1	RELAY 24VDC MINI ISO	FOR L20 ONLY
NI	47708A	6	TERMINAL 1/4 FIMQD 22 18 GA.	FOR L20 ONLY

Rear panel for machines with 41150C Traverse co

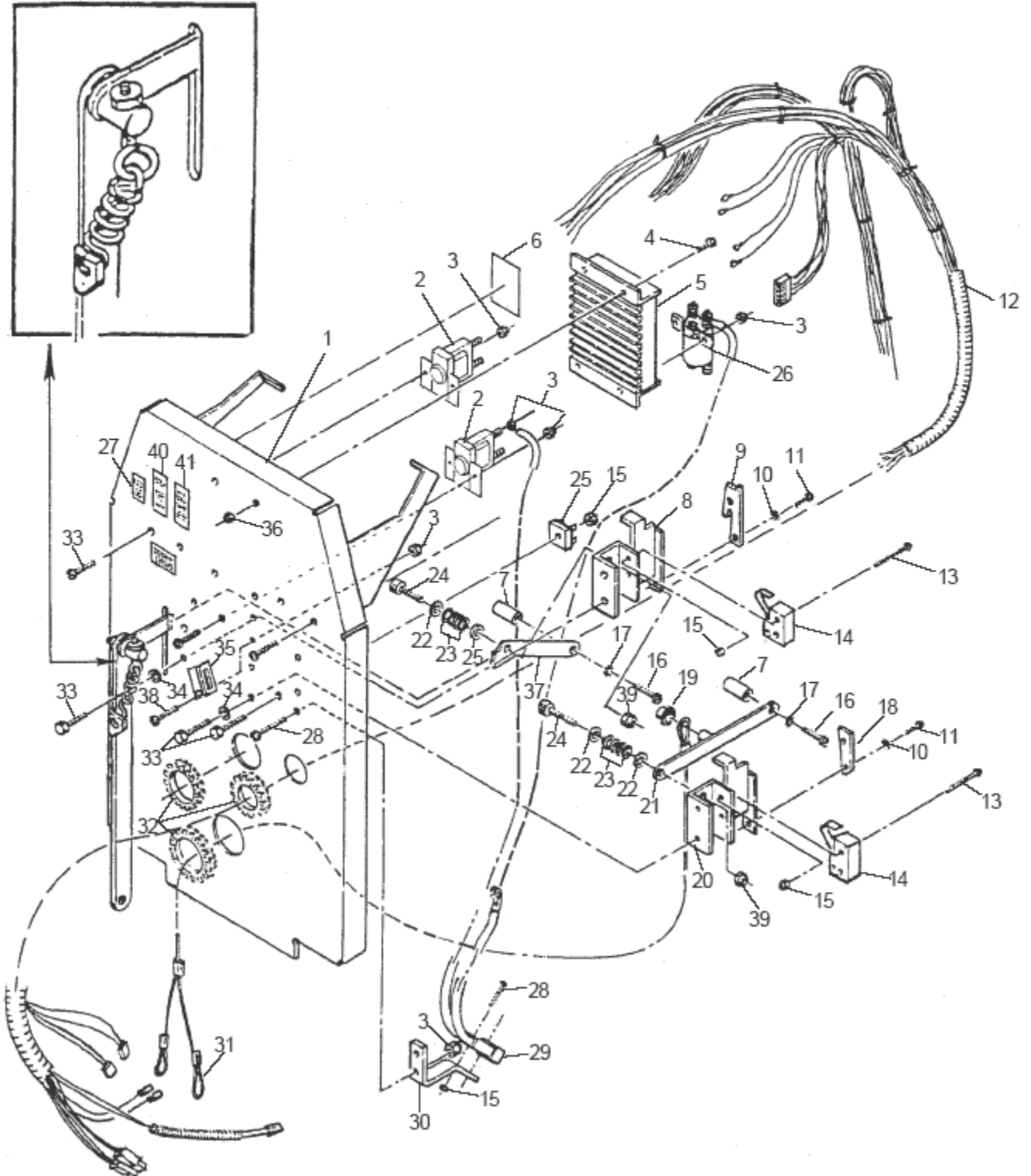
17-10-2012

Part List ID
ENCORE20SL23

ENCORE 20 S / 20 L

48

CLARKTECHNOLOGY Encore L20 Rear Panel Assembly Drawing 2/03 (for machines with a 41150C traverse controller)



Rear panel for machines with 41150C Traverse c

ENCORE 20 S / 20 L

17-10-2012

Part List ID
ENCORE20SLZ3

49

Pos	Part no.	Qty	Description
1	66228A	1	PLATEBACK ENCORE 20BT
2	40169A	2	SOLENOID 24VDC SPNO 100A
3	81104A	10	NUT 1/4 20 ESNA TYPE SS
4	962798	4	SCR 10 24X 1/2 PN SS
5	41150E	1	CONTROL TRAVERSE ENC L20
7	64490A	2	HANDLE SQUEEGEE LIFT VISION
8	68789A	1	WLDMT.BRUSH LIFT LATCH ENC20
9	64231A	1	PLATE WEAR BRUSH PNTD ENC 20
10	980603	4	WASHER LK 10 EXT TOOTHPLTD
11	962546	4	SCR 10 24X 1/2 PN ST TYP23
12	49765B	1	HARNES MAIN ENCORE L20
13	85601A	4	SCREW 6 32 X 1 1/4 PAN HEAD
14	47388A	2	SWITCH ASM. VAC 26/32 VISION
15	920056	7	NUT 6X32 ELASTIC STOP
16	85389A	2	SCR 3/8 16X 5/8 PN SY
17	980666	2	WASHER 3/8 EXT. STAR
18	68643A	1	PLATE WEAR PNTDVISION 26/3
19	920346	1	PALNUT PW500015 TYPE W
20	61260A	1	BRACKET WELDMNT SQUEEGEE PNT
21	64901A	1	HANDLE SQUEEGEE LIFT WLDMNT
22	980692	4	WASHER 5/16 FLAT SS
23	438360	2	SPRING ADJUSTER LIFT
24	80028A	2	BOLT SHOULDER 5/16 X 1
25	46106A	1	RECTIFIER 2000E II
26	41811A	1	CONTACTOR 24 VDC 26 L
28	962212	3	SCR 6 32X 7/8 PN ST
29	41146A	1	CABLE ASM CONSOLE VISION 26L
30	60676A	1	BRKT POWER CON.PLTD 32 AUTO
31	61677A	1	CABLE SQUEEGEE LIFT ENCORE 20
33	170915	11	SCREW 1/4 20 X 3/4 HX HDSS
34	980657	4	WASHER LOCK 1/4 STD
35	69858A	1	BRKT.LATCH REC.TANK ENCORE20
36	81110A	4	NUT HEX ELASTIC LOCK 10 24 S.S
37	64498A	1	HANDLE BRUSH LIFT PLTD ENC20
38	85391A	2	SCR 1/4 20X 5/8 PN SY
39	81217A	2	NUT 1/4 20 X .218H NYLOCK
40	71014A	1	LABEL FALLING PARTS
41	71015A	1	LABEL GASES CHEMICALS
42	70302A	1	LABEL BATTERY INSTALLENCORE20

Electrical cover assembly for Machines with 4115

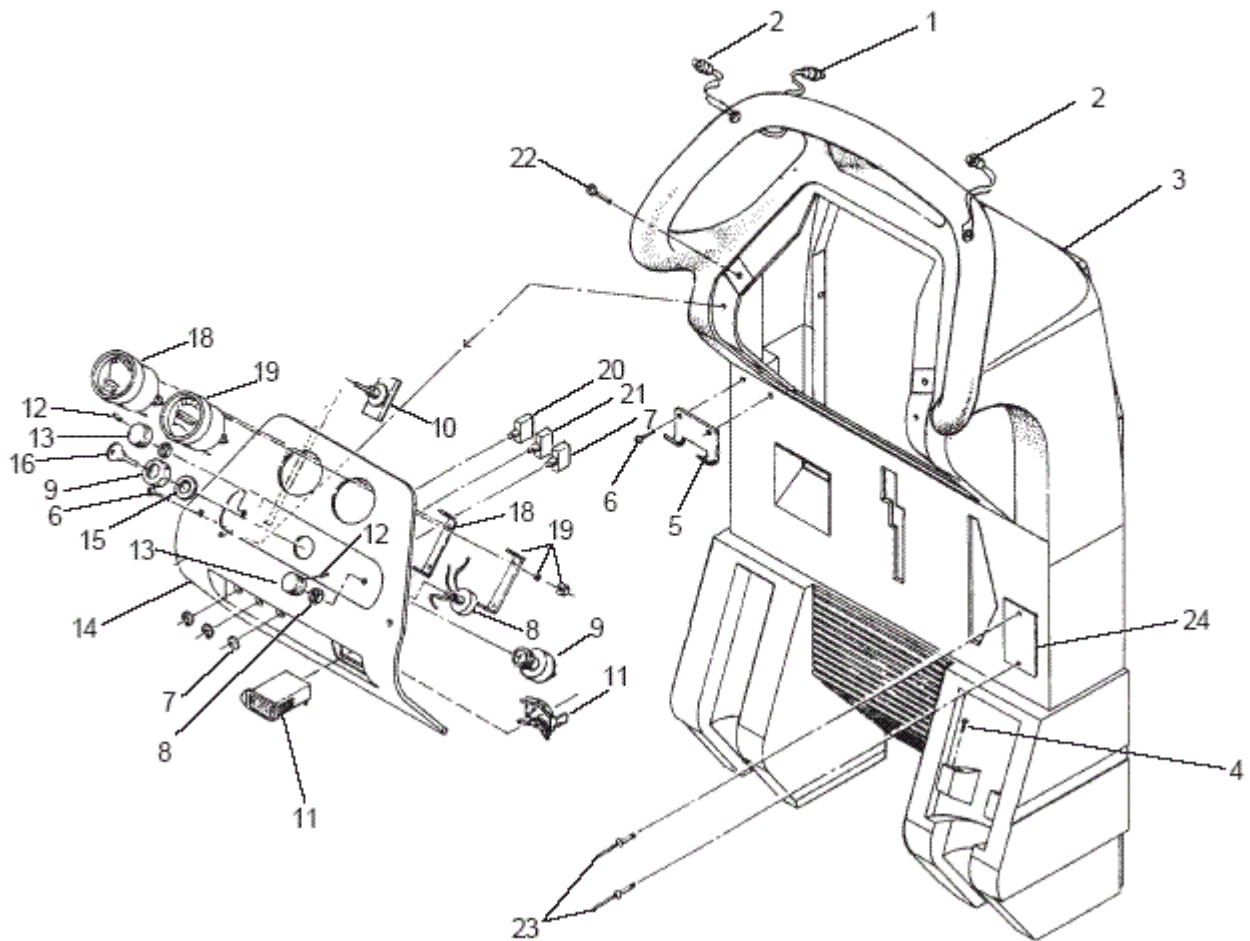
ENCORE 20 S / 20 L

17-10-2012

Part List ID
ENCORE20SL24

50

CLARKE TECHNOLOGY Encore S20/L20
Electrical Cover Assembly Drawing and Parts List 2/03
(for machines with a 41150C traverse controller)



Electrical cover assembly for Machines with 411!

ENCORE 20 S / 20 L

17-10-2012

Part List ID
ENCORE20SL24

51

Pos	Part no.	Qty	Description
1	40158A	1	SWITCH PUSH BUTTON SPDT
2	53077B	2	SWITCH PUSH BUTTON SPST NO
3	32415B	1	COVERREAR BLUE ENCORE 20L
4	962957	2	SCREW 10 16 X 1/2 HI LO
5	66987A	1	RETAINER HOSE HANGER ENCORE 20
6	84237A	4	SCREW 10 32 X 1/2 PAN HD SS
7	41433B	1	BREAKER CIRCUIT 40A SCR.90 DEG
8	45702A	1	POTENTIOMETER ASM 5K
9	47380A	1	SWITCH KEY 32DLX/STD
10	44308B	1	MODULATOR SOL.FLOWENCORE2426
11	912226	1	METER HOUR 12V DC
12	962262	2	SCREW 8 32 X 1/4 ST CUPPT
13	55502A	2	KNOB SPEED CONTROL+TEMP CONTRL
14	32405A	1	COVERREAR PANEL ENCORE 20
15	87052A	1	WASHER FLT 1.25X1.00X.020NYLON
16	55413A	2	KEY 26/32 VISIONFOR 47380A S
18	40217B	1	METER VOLT 24V ROUND WATERSHED
19	40218A	1	METER BRUSH MOTOR ENCORE 20
20	41422B	1	BREAKER CIRCUIT 25A SCR.90 DEG
21	41448B	1	BREAKER CIRCUIT 30A SCR.90 DEG
22	85518A	2	SCR 1/4 20X 3/4 PN SY TC F
23	83010A	2	RIVET POP 1/8
24	70080A	1	PLATE WARNINGENCORE WO/BRAKE
NI	41069B	1	RELAY 24VDC MINI ISO
NI	47708A	6	TERMINAL 1/4 FIMQD 22 18 GA.

Optional Brake

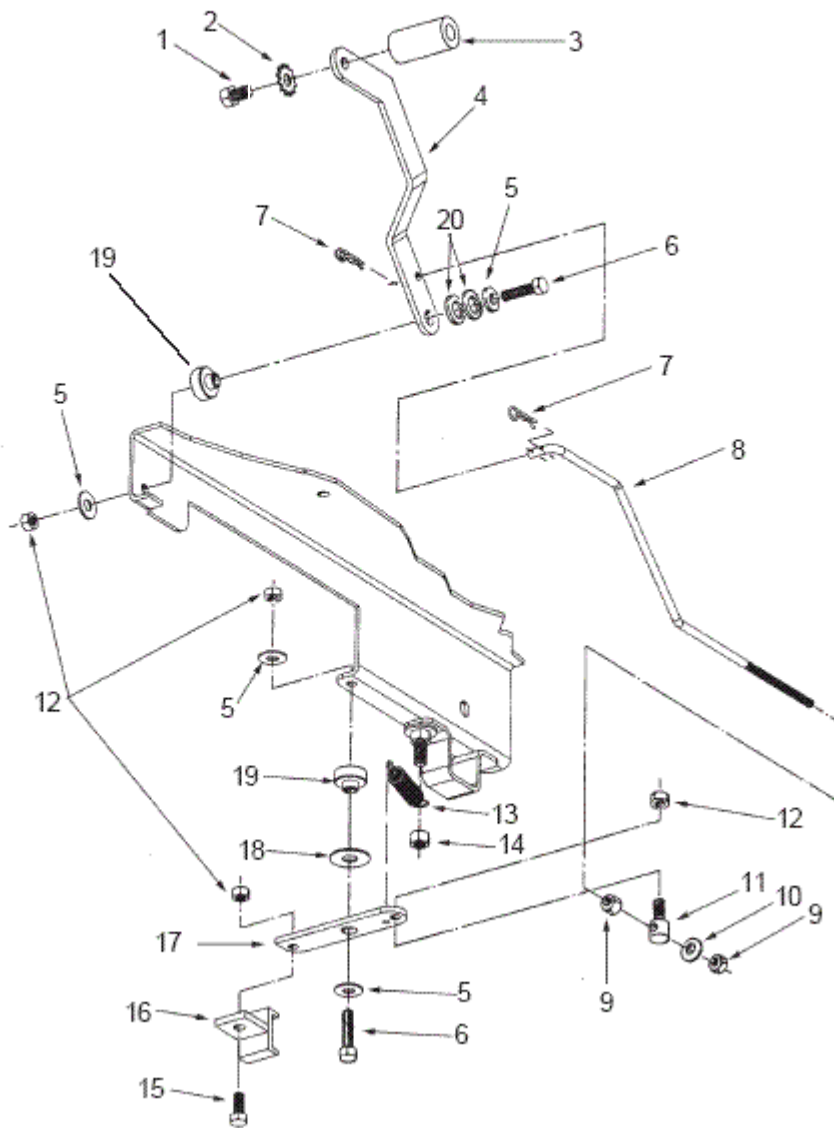
ENCORE 20 S / 20 L

17-10-2012

Part List ID
ENCORE20SL25

52

CLARKE TECHNOLOGY
Encore S20/L20
Optional Brake Drawing and Parts List 5/98
Form # 10635A



Optional Brake

ENCORE 20 S / 20 L

17-10-2012

Part List ID
ENCORE20SL25

53

Pos	Part no.	Qty	Description
1	85389A	1	SCR 3/8 16X 5/8 PN SY
2	980666	1	WASHER 3/8 EXT. STAR
3	64490A	1	HANDLE SQUEEGEE LIFT VISION
4	65627A	1	LEVERBRAKE ENCORE 20
5	980651	4	WASHER 5/16 SAE FLAT
6	85814A	2	SCREW 5/16 18 X 1 1/4 HX HD
7	836711	2	HAIRPIN FOR 8.0MM CLEVIS
8	67161A	1	RODBRAKE LEVER ENCORE 20
9	81104A	2	NUT 1/4 20 ESNA TYPE SS
10	87026A	1	WASHER .250 FLAT SS
11	848508	1	SWIVEL BRAKE ROD
12	920110	4	NUT LK 5/16 18 REGPLTD
13	848302	1	SPRING
14	81105A	1	NUT 3/8 16 ESNA TYPE SS
15	85811A	1	BOLT 5/16 18 X 3/4 HX HD
16	66212A	1	PAD WLDMTBRAKE FUSION
17	60451A	1	ARMBRAKE ENCORE 20
18	87607A	1	WASHER FLT 1.25X.52X.06 NYLON
19	67877A	2	SPACERBRAKE 32DLX/26DLX
20	980673	2	WASHER FLT 1/2 ID X 7/8 OD

ESP system

ENCORE 20 S / 20 L

17-10-2012

Part List ID
ENCORE20SL26

54

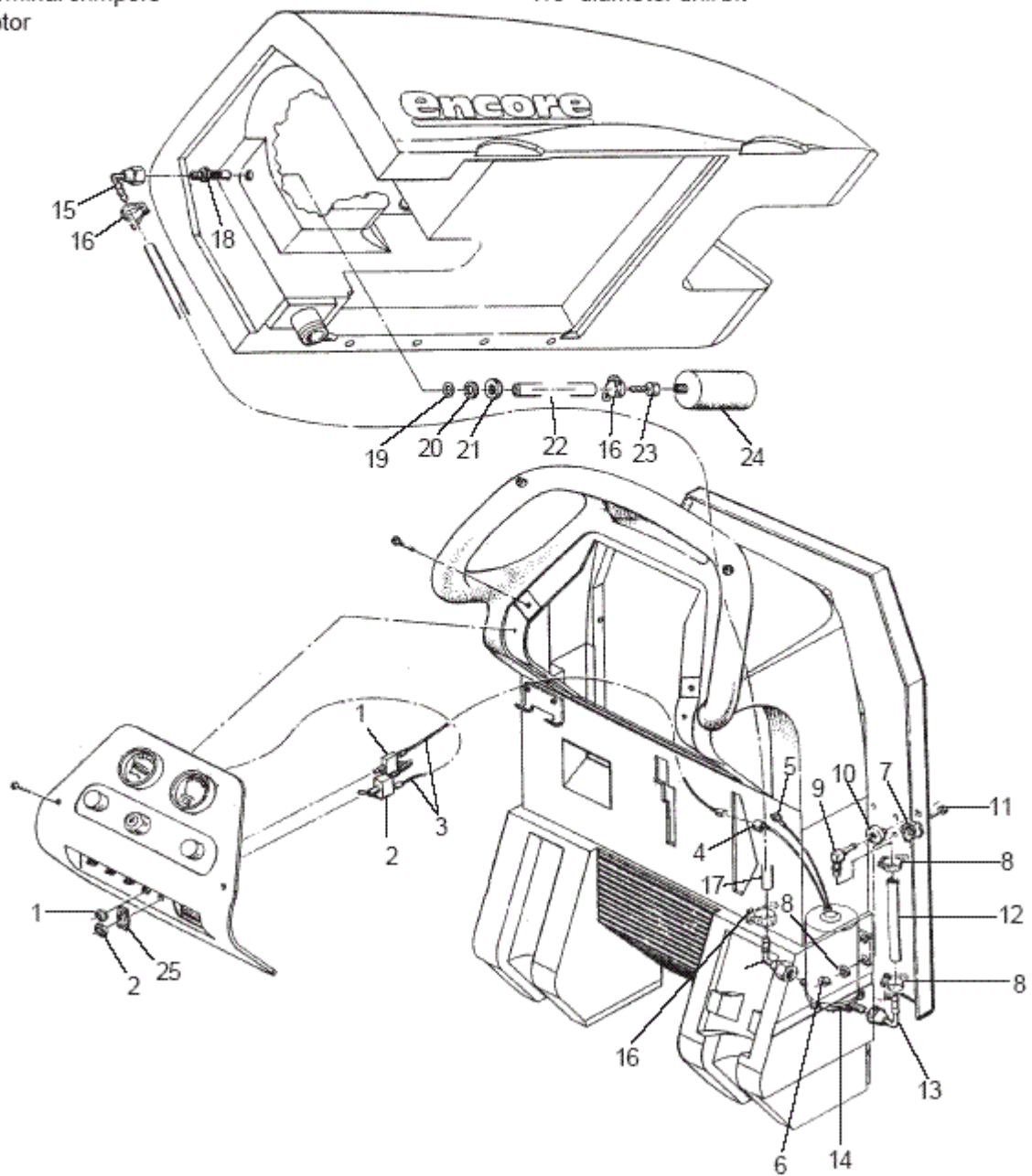
CLARKTECHNOLOGY

Encore S20/L20 Drawing & Parts List ESP Recycle System Kit 10663A 6/01

Tools Needed:

Adjustable wrench
Short or right angle Phillips® screwdriver
Wire strippers
Wire terminal crimpers
Drill motor

3/8" diameter drill bit
7/16" diameter drill bit
15/32" diameter drill bit
7/8" diameter drill bit



ESP system

ENCORE 20 S / 20 L

17-10-2012

Part List ID
ENCORE20SL26

55

Pos	Part no.	Qty	Description
1	41418B	1	BREAKER CIRCUIT 10 AMP 1700/2
2	47320A	1	SWITCHTOGGLE
4	47905A	1	TERMINAL1/4 FIMQD 16 14 GA.
5	911933	1	TERMINALRING 10 16 14 GAUGE
6	920296	4	NUT 10 24 ELASTIC STOP
7	980643	8	WASHER 7/16ODX.036THK
8	722021	2	CLAMPHOSE 4
9	51526A	1	HOSEBARB 3/8 X 90 DEG
10	51518A	1	BUSHING HOSE CONNECTOR
12	30172A	1	HOSE CLEAR 16 1/2
13	692870	1	ELBOW SWIVEL BARB 937A
14	45937A	1	PUMP 24V 21I/V
15	56261246	2	ELBOW
16	722030	3	CLAMP HOSE 6
18	50342A	1	ADAPTOR REC. TANK RECYCLE KI
20	980019	1	WASHER FM
21	920802	1	NUT TANK FM
22	30452A	1	HOSECLEAR VINYL ENCORE 20
24	53997A	1	FILTER REC. TANK VISION 26/
25	646302	1	SWITCH PLATE
NI	699202	12	TIE WIRE 935A

Squeegee Assembly OLD VERSION

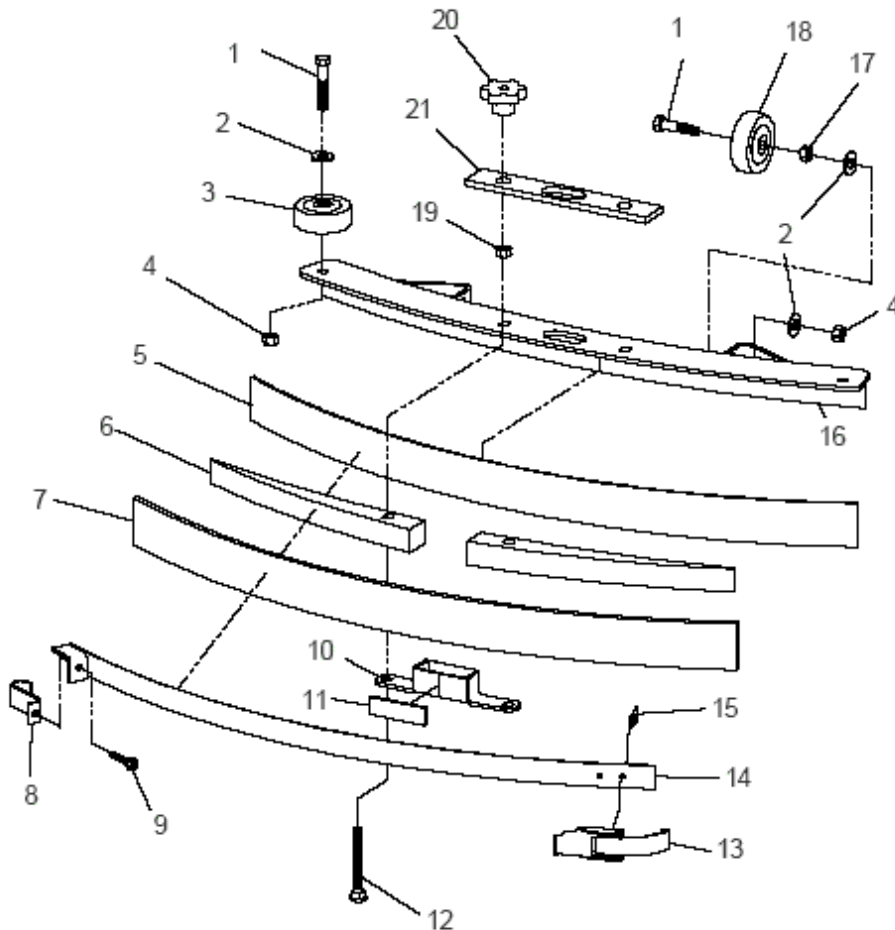
ENCORE 20 S / 20 L

17-10-2012

Part List ID
ENCORE20SL41

56

CLARKE TECHNOLOGY Encore S20/L20
Squeegee Assembly Drawing and Parts List 12/06
29" Asm. - 18820A (Optional)
33" Asm. - 18821A (discontinued, use 10129A)



Ref #	Part No.	Description	29"	33"
1	962522	Screw, 3/8-16 x 2" Hex	4	4
2	980687	Washer, 15/32 I.D. x 15/16 O.D.	6	6
3	59950A	Wheel, Guide	2	2
4	81111A	Nut, 3/8-16 ESNA	4	4
5	30950A	Blade, Ribbed, Urethane	-	1
◆	30763L1	Blade, Front, Linatex	1	-
6	38713A	Spacer, 29"	2	-
	38719A	Spacer, 33"	-	2
7◆	30931L	Blade, Outer, Linatex	1	-
	30946A	Blade, Rubber, Outer	-	1
8	62421A	Clamp, End	1	1
9	86004A	Screw, 1/4-20 x 1 1/2 Hex	1	1
10	62712A	Duct, Squeegee Inlet	1	1
11	37016A	Pad, Squeegee Grip	1	1
12	80011A	Screw, 3/8-16 x 3 CR S.S.	2	2
13	55722A	Latch, Squeegee Strap	1	1
14	62441A	Clamp, Squeegee 29"	1	-
	62445A	Clamp, Squeegee 33"	-	1
15	170932	Rivet, Pop 3.16 S.S. 1/8"	2	2
16	69059A	Squeegee Weldment 29"	1	-
	69672A	Squeegee Weldment 33"	-	1
17	81207A	Nut, 3/8-16 S.S.	2	2
18	419702	Wheel	2	2
19	81301A	Nut, 3/8-16 Jam S. S.	2	2
20	25201A	Knob	Ref	Ref
21	34260B	Gasket	Ref	Ref

Optional:

NI	30938A	Nitrile 29" Outer Blade
NI	30949A	Nitrile 33" Outer Blade
NI	30930A	Rubber 29" Inner Blade
NI	30947A	Rubber 33" Inner Blade

NOTE:

When changing blades loosen nuts #19. Clamp blades on squeegee. Retighten #19 nuts. This will allow spacer #6 to readjust to different blade thickness.

NOTE:◆ indicates a change has been made since the last publication of this manual.

Squeegee Assembly OLD VERSION

ENCORE 20 S / 20 L

17-10-2012

Part List ID
ENCORE20SL41

57

Pos	Part no.	Qty	Description	
1	962522	4	SCR 3/8 16X2 HX ST CAP	
2	980687	6	WASHER 15/32 X 15/16 X .032	
3	59950A	2	WHEEL GUIDE 26/32 VISION	
4	81111A	4	NUT HEX ELASTIC LOCK 3/8 16	
5	30950A	1	BLADE SQUEEGEE ENCORE 20	FOR 33" SQUEEGEE
6	38713A	2	SPACER SQUEEGEE VISION 26	FOR 29" SQUEEGEE
7	30931L	1	BLADESQ. LINATEX 28.12	FOR 29" SQUEEGEE
7	30946A	1	BLADE OUTER VISION V	FOR 33" SQUEEGEE
8	62421A	1	CLAMP END SQUEEGEE VISION 26	
9	86004A	1	SCREW 1/4 20X1 1/2 HEX FULHRD	
10	62712A	1	DUCT SQUEEGEE INLET VISION 2	
11	37016A	1	PAD SQUEEGEE GRIP AUTOSCRUB	
12	80011A	2	SCR 3/8 16X3 CR SS	
13	55722A	1	LATCH SQUEG.STRAPENCORE 28 38	
14	62441A	1	CLAMP WLDMNT SQG.ENC. 28 ACC	
14	62445A	1	CLAMP WLDMT. SQUEEGEE ENCORE20	
15	170932	2	RIVET POP 3/16 SS 1/8 1/4	
17	81207A	2	NUT HEX 3/8 16 SS	
18	419702	2	WHEEL	
19	81301A	2	NUT 3/8 16 JAM SS	
20	25201B	1	KNOB CLAMPING	
21	34260B	1	GASKET SQUEEGEE VISION 26/32	
NI	30930A	1	BLADE INNER RUBBER VISION 21	OPTIONAL FOR 29" SQUEEGEE
NI	30938A	1	BLADESQUEEGEENITRILE 28.12	OPTIONAL FOR 29" SQUEEGEE
NI	30947A	1	BLADE INNER VISION V	OPTIONAL FOR 33" SQUEEGEE
NI	30949A	1	BLADE SQUEEGEE NITRILE 32.50	OPTIONAL FOR 33" SQUEEGEE