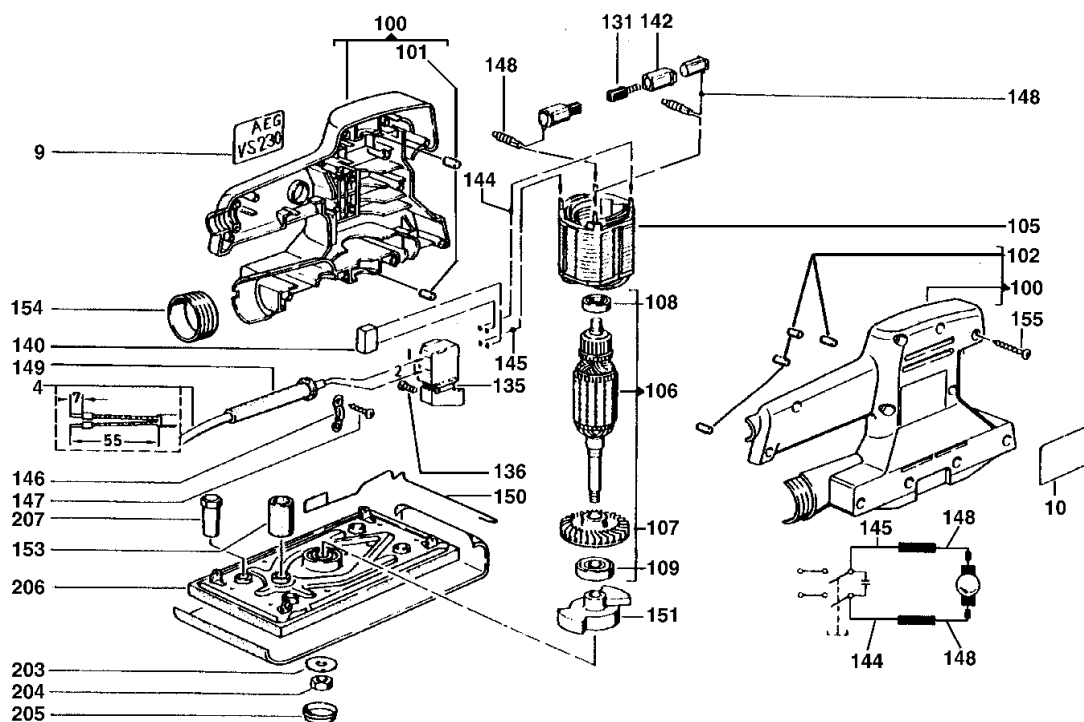


A & M Electric Tools

Orbital Sanders

Ind	Product No.	Type	Voltage	Country	Ind	Product No.	Type	Voltage	Country
a	4000336220	VS230	220-230V	IN2					
b	4000378201	VS230	220-230V	CHI					
c	4000336237	VS230	240V	AUS					

AEG			
VS 230			
Exp.view No.	Version	Date	Page
4926 3362 22	0003	19.03.03	1/1



Pos	Index	Quanti	Article No.	Designation	Pos	Index	Quanti	Article No.	Designation
0004	a.....	1	4931623131	CONNECTION CABLE	0146	abc.....	1	4931256500	CABLE COLLAR
0004	.b.....	1	4931623901	CONNECTION CABLE	0147	abc.....	2	4931624538	SCREW
0004	.c.....	1	4931624338	CONNECTION CABLE	0148	abc.....	2	4931622391	BRUSH HOLDER
0009	abc.....	1	4931355128	TYPE PLATE	0149	abc.....	1	4931206687	CABLE ENTRY SLEEVE
0010	a.....	1	4931345321	RATING PLATE	0150	abc.....	2	4931326567	YOKE
0010	.b.....	1	4931378204	RATING PLATE	0151	abc.....	1	4931326568	BALANCE WEIGHT
0010	.c.....	1	4931336240	RATING PLATE	0153	abc.....	1	4931326569	RUBBER SLEEVE
0100	abc.....	1	4931336227	HOUSING	0154	abc.....	1	4931308594	SEAL RING
0101	abc.....	2	4931244948	HOLDING-DOWN DEVIC	0155	abc.....	11	4931618253	SCREW
0102	abc.....	4	4931244948	HOLDING-DOWN DEVIC	0203	abc.....	1	4931621679	DISC
0105	abc.....	1	4931326558	ELECTRIC FIELD	0204	abc.....	1	4931622652	NUT
0106	abc.....	1	4931326559	ARMATURE	0205	abc.....	1	4931326888	PROTECTIVE CAP
0107	abc.....	1	4931302487	FAN	0206	abc.....	1	4931326563	GROUND PLATE
0108	abc.....	1	4931805312	BALL BEARING	0207	abc.....	4	4931326570	RUBBER BUFFER
0109	abc.....	1	4931901253	BALL BEARING					
0131	abc.....	1	4931361733	CARBON BRUSH SET					
0135	abc.....	1	4931334536	SWITCH					
0136	abc.....	2	4931621772	SCREW					
0140	abc.....	1	4931622364	CAPACITOR					
0142	abc.....	2	4931315039	BRUSH HOLDER					
0144	abc.....	1	4931622290	WIRE					
0145	abc.....	1	4931622264	CONNECTION CABLE					

Repairs/modification and testing of electric power tools are to be carried out by specialists. The safety regulations according to DIN/VDE/CEE/AFNOR and other regulations valid in the different countries are to be observed.