

## Stainless Steel- Indexing plungers

lockable

### SPECIFICATION

#### Types

- Type **A**: front locking
- Type **AK**: front locking, with lock nut
- Type **E**: front and rear locking
- Type **EK**: front and rear locking, with lock nut

#### Coding

- **SC**: with key (keyed alike)
- **SU**: with key (keyed differently)

Stainless Steel AISI 303 **NI**

Plunger pin chemically nickel plated

Knob

Plastic (Polyamide PA)

black, matte

temperature resistant up to 80 °C

Spring

Stainless Steel AISI 301

Lock mechanism

Zinc die casting / Stainless Steel

Key (two pieces)

Steel, nickel plated

Hexagon nut ISO 8675

Stainless Steel AISI 304 (A2)



### TECHNICAL INFORMATION

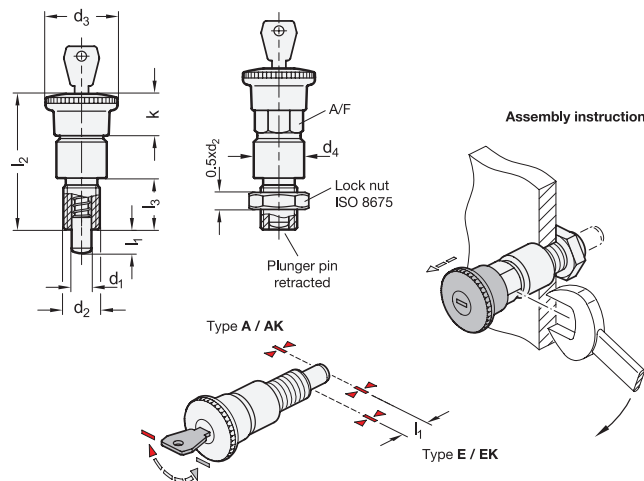
- Load rating information (see page A42)
- ISO-Fundamental Tolerances (see page A21)
- Plastic characteristics (see page A2)
- Stainless Steel characteristics (see page A26)

### INFORMATION

Lockable Stainless Steel-Indexing plungers GN 814 are used for applications where unauthorized operation is to be prevented. Types A and AK secure the plunger pin in the front position after locking. Types E and EK additionally secure the plunger pin in the rear position if it is not to protrude temporarily.

The key can be removed in the end positions. Locks with coding SC are keyed alike, allowing each lock to be operated with the same key. Locks with coding SU have different locks with 100 different lock versions and correspondingly numbered keys.

For assembly, the indexing plunger can be screwed in or out via a hexagon socket, which is only accessible when the knob is pulled back. If necessary, lock nuts should be additionally secured against manipulation, e.g. by gluing or welding.





Indexing elements

### GN 814-A

STAINLESS STEEL

Description	d1 Pin -0.02/ -0.04 Bore H7	l1	d2	d3	d4	k	l2 ≈	l3	A/F	Spring load in N ≈ initial	Spring load in N ≈ end	⚖️
GN 814-8-8-A-SC-NI	8	8	M 16 x 1.5	34	23	21	68.5	26	19	18	33	134
GN 814-8-8-A-SU-NI	8	8	M 16 x 1.5	34	23	21	68.5	26	19	18	33	134
GN 814-8-12-A-SC-NI	8	12	M 16 x 1.5	34	23	21	68.5	26	19	11	33	138
GN 814-8-12-A-SU-NI	8	12	M 16 x 1.5	34	23	21	68.5	26	19	11	33	138
GN 814-10-12-A-SC-NI	10	12	M 16 x 1.5	34	23	21	68.5	26	19	11	33	139
GN 814-10-12-A-SU-NI	10	12	M 16 x 1.5	34	23	21	68.5	26	19	11	33	139
GN 814-12-15-A-SC-NI	12	15	M 20 x 1.5	34	23	21	73	31.5	19	11	33	174
GN 814-12-15-A-SU-NI	12	15	M 20 x 1.5	34	23	21	73	31.5	19	11	33	174

### GN 814-AK

STAINLESS STEEL

Description	d1 Pin -0.02/ -0.04 Bore H7	l1	d2	d3	d4	k	l2 ≈	l3	A/F	Spring load in N ≈ initial	Spring load in N ≈ end	⚖️
GN 814-8-8-AK-SC-NI	8	8	M 16 x 1.5	34	23	21	68.5	26	19	18	33	152
GN 814-8-8-AK-SU-NI	8	8	M 16 x 1.5	34	23	21	68.5	26	19	18	33	152
GN 814-8-12-AK-SC-NI	8	12	M 16 x 1.5	34	23	21	68.5	26	19	11	33	156
GN 814-8-12-AK-SU-NI	8	12	M 16 x 1.5	34	23	21	68.5	26	19	11	33	156
GN 814-10-12-AK-SC-NI	10	12	M 16 x 1.5	34	23	21	68.5	26	19	11	33	158
GN 814-10-12-AK-SU-NI	10	12	M 16 x 1.5	34	23	21	68.5	26	19	11	33	158
GN 814-12-15-AK-SC-NI	12	15	M 20 x 1.5	34	23	21	73	31.5	19	11	33	206
GN 814-12-15-AK-SU-NI	12	15	M 20 x 1.5	34	23	21	73	31.5	19	11	33	206

### GN 814-E

STAINLESS STEEL

Description	d1 Pin -0.02/ -0.04 Bore H7	l1	d2	d3	d4	k	l2 ≈	l3	A/F	Spring load in N ≈ initial	Spring load in N ≈ end	⚖️
GN 814-8-8-E-SC-NI	8	8	M 16 x 1.5	34	23	21	68.5	26	19	18	33	128
GN 814-8-8-E-SU-NI	8	8	M 16 x 1.5	34	23	21	68.5	26	19	18	33	128
GN 814-8-12-E-SC-NI	8	12	M 16 x 1.5	34	23	21	68.5	26	19	11	33	133
GN 814-8-12-E-SU-NI	8	12	M 16 x 1.5	34	23	21	68.5	26	19	11	33	133
GN 814-10-12-E-SC-NI	10	12	M 16 x 1.5	34	23	21	68.5	26	19	11	33	162
GN 814-10-12-E-SU-NI	10	12	M 16 x 1.5	34	23	21	68.5	26	19	11	33	162
GN 814-12-15-E-SC-NI	12	15	M 20 x 1.5	34	23	21	73	31.5	19	11	33	172
GN 814-12-15-E-SU-NI	12	15	M 20 x 1.5	34	23	21	73	31.5	19	11	33	172

### GN 814-EK

STAINLESS STEEL

Description	d1 Pin -0.02/ -0.04 Bore H7	l1	d2	d3	d4	k	l2 ≈	l3	A/F	Spring load in N ≈ initial	Spring load in N ≈ end	⚖️
GN 814-8-8-EK-SC-NI	8	8	M 16 x 1.5	34	23	21	68.5	26	19	18	33	146
GN 814-8-8-EK-SU-NI	8	8	M 16 x 1.5	34	23	21	68.5	26	19	18	33	146
GN 814-8-12-EK-SC-NI	8	12	M 16 x 1.5	34	23	21	68.5	26	19	11	33	151
GN 814-8-12-EK-SU-NI	8	12	M 16 x 1.5	34	23	21	68.5	26	19	11	33	151
GN 814-10-12-EK-SC-NI	10	12	M 16 x 1.5	34	23	21	68.5	26	19	11	33	180
GN 814-10-12-EK-SU-NI	10	12	M 16 x 1.5	34	23	21	68.5	26	19	11	33	180
GN 814-12-15-EK-SC-NI	12	15	M 20 x 1.5	34	23	21	73	31.5	19	11	33	203
GN 814-12-15-EK-SU-NI	12	15	M 20 x 1.5	34	23	21	73	31.5	19	11	33	203