

# Travel Drives

## Final Drives Angular Input

**Output torque**  
100 ... 900 kNm

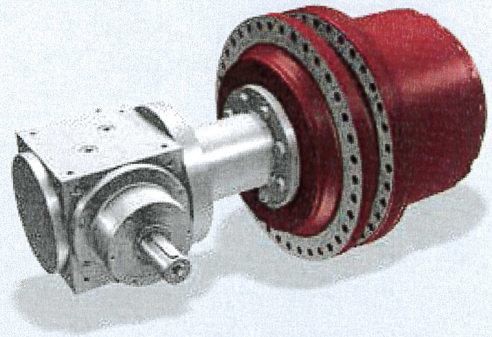
**Gear Ratios**  
406 ... 825 i

**Standard features**

- Compact structure
- High performance
- 3-7 Planetary wheels per stage
- Notchless ground tooth root
- Different ratios
- Integrated disc-brake
- High availability by highest teeth and production quality

**Special executions on request**

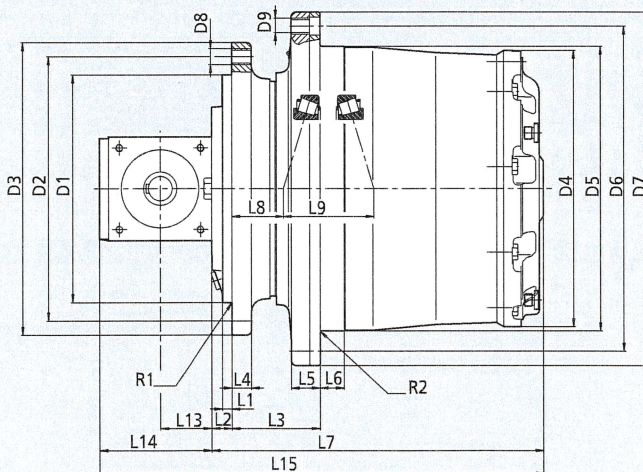
- Mechanical disconnect device



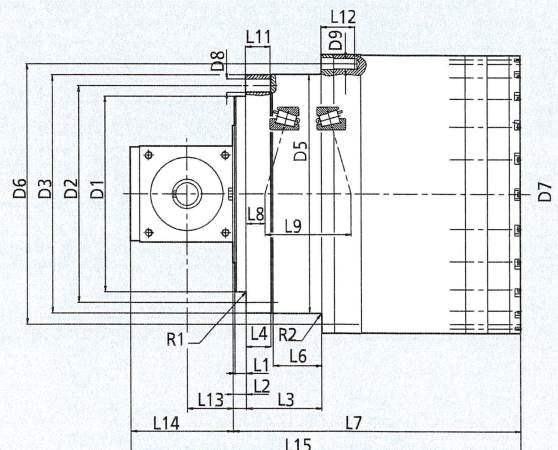
Type	Output torque * (kNm)
FP100	100
FP130	130
FP180	180
FP220	220
FP360	360
FP440	440
FP560	560
FP900	900

\* Stated torques are peak values for short duration

STANDARD INPUT VERSION - ST



CRAWLER CRANE VERSION - CC



## Overall dimensions and technical data

		FP100	FP130	FP180	FP220	FP360	FP440	FP560	FP900
Ratio <sup>1</sup>	i	426	825	412	248	446	528	450	406
Version <sup>2</sup>		ST	ST	ST	ST	ST	CC	CC	CC
<b>CAPACITY OF BEARING</b>									
C-dynamic	kN	498	523	787	765	1040	1040	1040	2800
Co-static	kN	1010	980	1650	1660	2450	2450	2450	6390
Weight	kg	410	452	757	915	1065	1300	2222	3750
<b>PARK BRAKE OPTIONAL</b>									
Locking torque <sup>3</sup>	Nm	600	750	1375	1200	1700	1700	900	–
Release pressure min.	bar	15	19	35	15	12	15	13	–
<b>DIMENSIONS</b>									
L1	mm	35	45	30	18	100	40	40	30
L2	mm	65	45	30	52	100	43	43	33
L3	mm	165	190	168	166.5	130	255	255	405
L4	mm	28	35	40	40	40	40	45	96
L5	mm	53	58	56	61	60	–	–	–
L6	mm	43	45	21.5	35	60	120	120	306
L7	mm	463	530	534.5	580.5	657.5	814	831.5	965
L8	mm	32	50.5	50.3	16	25	80	80	129
L9	mm	139	147	141.4	187.5	215	213	213	258.5
L10	mm	–	–	–	–	–	–	–	–
L11	mm	–	–	–	–	–	40	45	50
L12	mm	–	–	–	–	–	70	70	68
L13 <sup>4</sup>	mm	115	311	437.5	448	380	255	857	612
L14 <sup>4</sup>	mm	215	411	542.5	593	545	400	1104	859
L15 <sup>4</sup>	mm	678	941	1077	1173.5	1202.5	1214	1935.5	1824
L16 <sup>4</sup>	mm	60	60	75	85	110	85	160	120
L17 <sup>4</sup>	mm	215	215	265	300	387	300	570	540
R1	mm	12 / 60	25	4	35°/16/16	18°/100/16	4	4	4
R2	mm	5	4	3	4	10	4	4	5
D1	mm	390	390	450	460	580	450	450	668
D2	mm	460	500	510	600	680	515	515	726
D3	mm	500	550	560	650	735	569	569	779
D4	mm	407	449	528	540	649.5	–	–	–
D5	mm	408	450	535	542	650	570	570	780
D6	mm	460	500	600	600	720	620	620	850
D7	mm	500	550	650	650	775	670	763	900
D8	mm	M24x2	M24x2	M24x2	M24x2	M30x3.5	M36x1.5	M36x1.5	M36x1.5
D9	mm	M24x2	M24x2	M27x2	M24x2	M30x3.5	M30x2	M30x1.5	M36x1.5
Qty. D8 / D9		30/24	32/32	20/30	38/38	30/30	29/42	29/42	30/45
D10 <sup>4</sup>	mm	40	40	50	55	60	55	90	75
D10 Key <sup>4</sup>		DIN6885 (A12x8x50)		DIN6885 (A14x9x70)	DIN6885 (A16x10x80)	DIN6885 (A18x11x100)	DIN6885 (A16x10x80)	DIN6885 (A25x14x150)	

1) Other ratios on demand  
2) ST= Standard CC= Crawler Crane

3) Optional brake torques  
4) Other dimensions optional