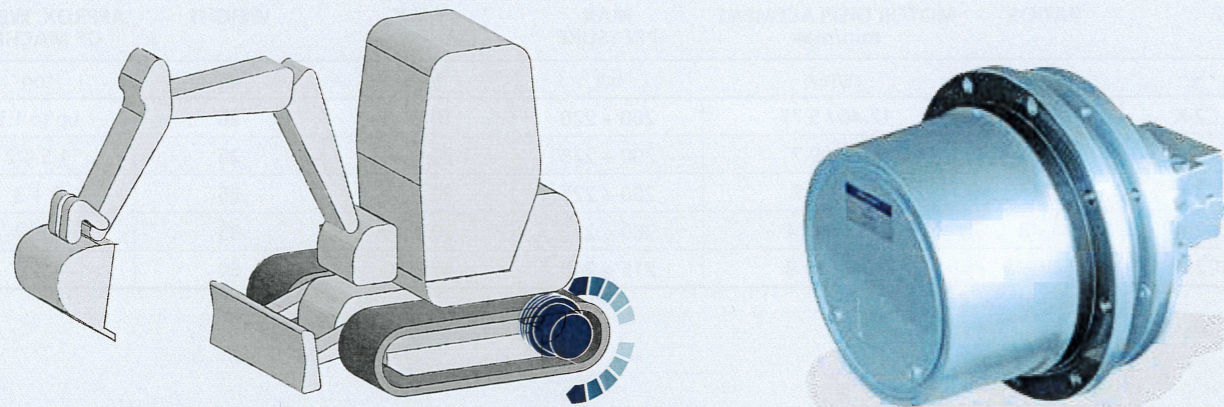


Track drive for miniexcavators from 1 to 6 tons.



700CP (ex PGR) Track drive gearmotors

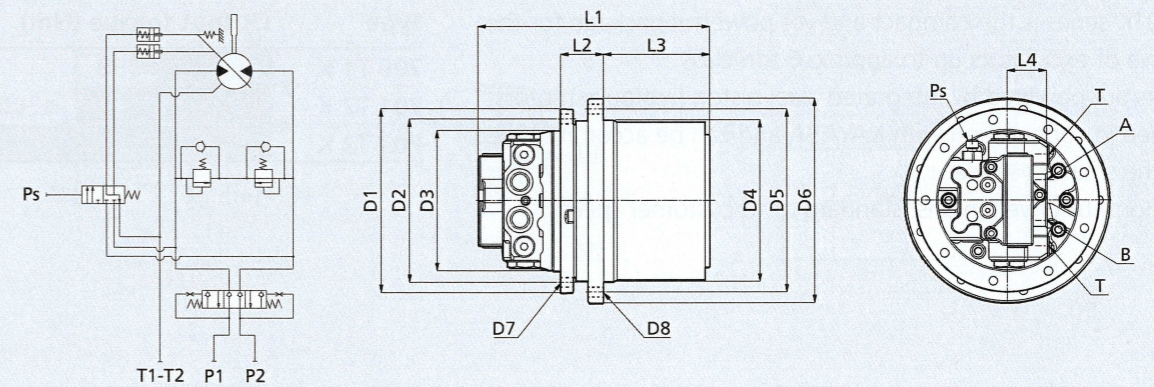
Extreme compactness, lightweight, efficiency and smooth operation are the key features of the 700CP (ex PGR) series track drives, powered by integrated axial piston hydraulic motors, developed in cooperation with POCLAIN HYDRAULICS.

Type	Output torque (Nm)
700 C2 P (ex PGR92)	1200
700-2 C2 P (ex PGR132)	1900
701 C2 P (ex PGR302)	2500
702 C2 P (ex PGR402)	3500
704 C2 P (ex PGR602)	5000



slow drive for miniexcavators
from 1 to 6 tons

TYPE	RATIOS	MOTOR DISPLACEMENT min/max	MAX. PRESSURE	MAX. OIL FLOW	WEIGHT	APPROX. WEIGHT OF MACHINE
	1:	cc/rev	bar	l/min	kg	ton
700 C2 P (ex PGR92)	18.5 - 26.5	14.7 / 7.7	215	25	18	up to 1.5
700-2 C2 P (ex PGR132)	18.9 - 36.8	17.85 / 7.7	230	30	24	1.5 ÷ 2
701 C2 P (ex PGR302)	31.1 - 57.5	17.85 / 7.8	250	35	36	2 ÷ 3
702 C2 P (ex PGR402)	31.1 - 57.5	29.0 / 11.8	275	50	41	3 ÷ 4
704 C2 P (ex PGR602)	30 - 55	36.4 / 16.7	275	65	60	4 ÷ 6



TYPE	D1	D2	D3	D4	D5	D6	D7	D8	L1	L2	L3	L4	A-B	T	Ps
700 C2 P (ex PGR92)	175	155	140	140	155	175	M10x1.5 n°8	M10x1.5 n°9	220	45	138	*	*	*	*
700-2 C2 P (ex PGR132)	195	175	155	160	180	200	M10x1.5 n°8	M10x1.5 n°8	250	40	108	*	*	*	*
701 C2 P M (ex PGR302)	215	192	165	204	232	255	M12x1.75 n°9	M12x1.75 n°9	277	66	119	*	*	*	*
701 C2 P K (ex PGR302)	215	192	165	190	215	239	M12x1.75 n°9	M12x1.75 n°9	277	50	119	*	*	*	*
702 C2 P (ex PGR402)	215	192	165	204	232	255	M12x1.75 n°9	M12x1.75 n°9	304	70	119	*	*	*	*
704 C2 P (ex PGR602)	264	240	200	230	262	286	M14x1.75 n°12	M14x1.75 n°12	335	68	139	*	*	*	*

* Depend on motor version