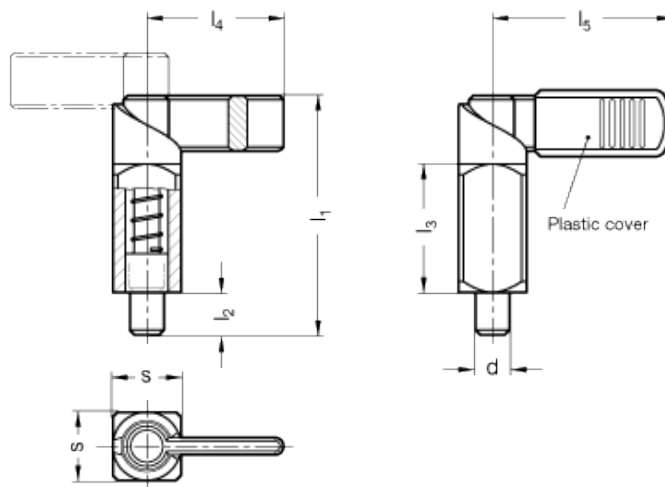


# GN 612.3-NI

Cam action indexing plungers



INOX  
Stainless Steel



## technical informations

### Specification

Type

- Type A: without plastic cover
- Type B: with plastic cover

Stainless Steel NI

- Guide, weldable AISI 304
- Plunger AISI 303

Spring

Stainless Steel 301

Plastic cover (Polyamid PA)  
black, matt

### Features and applications

Stainless Steel-Cam action indexing plungers GN 612.3 are used in cases where the locking pin must not protrude all the time. By rotating the lock through 180° the locking pin withdraws itself. A notch is provided in either position to prevent the lock from rotating. The square body can therefore be welded in any required position. In order to prevent a change in the spring load by the transferred heat we recommend spot welding the plunger body.

Standard Elements	Main dimensions							Spring pressure		Weight
Description	$d_{-0.02/-0.04}$	s	$l_1$	$l_2$	$l_3$	$l_4$	$l_5$	Preload in N $\approx$	Max. load in N $\approx$	g
GN 612.3-6-16-A-NI	6	16	56	10	30	32	42	12	32	-
GN 612.3-8-16-A-NI	8	16	56	10	30	32	42	12	32	-
GN 612.3-8-20-A-NI	8	20	69	12	38	37	52	21	58	-
GN 612.3-10-16-A-NI	10	16	56	10	30	32	42	12	32	-
GN 612.3-10-20-A-NI	10	20	69	12	38	37	52	21	58	-
GN 612.3-10-16-A-NI	10	16	56	10	30	32	42	12	32	-
GN 612.3-10-20-A-NI	10	20	69	12	38	37	52	21	58	-
GN 612.3-12-20-A-NI	12	20	69	12	38	37	52	21	58	-
GN 612.3-6-16-B-NI	6	16	56	10	30	32	42	12	32	-
GN 612.3-8-16-B-NI	8	16	56	10	30	32	42	12	32	-
GN 612.3-8-20-B-NI	8	20	69	12	38	37	52	21	58	-
GN 612.3-10-16-B-NI	10	16	56	10	30	32	42	12	32	-
GN 612.3-10-20-B-NI	10	20	69	12	358	37	52	21	58	-
GN 612.3-12-20-B-NI	12	20	69	12	38	37	52	21	58	-



ELESA and GANTER models all rights reserved in accordance with the law. Always mention the source when reproducing our drawings.

STANDARD MACHINE ELEMENTS WORLDWIDE