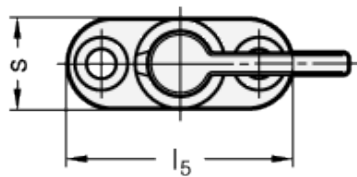
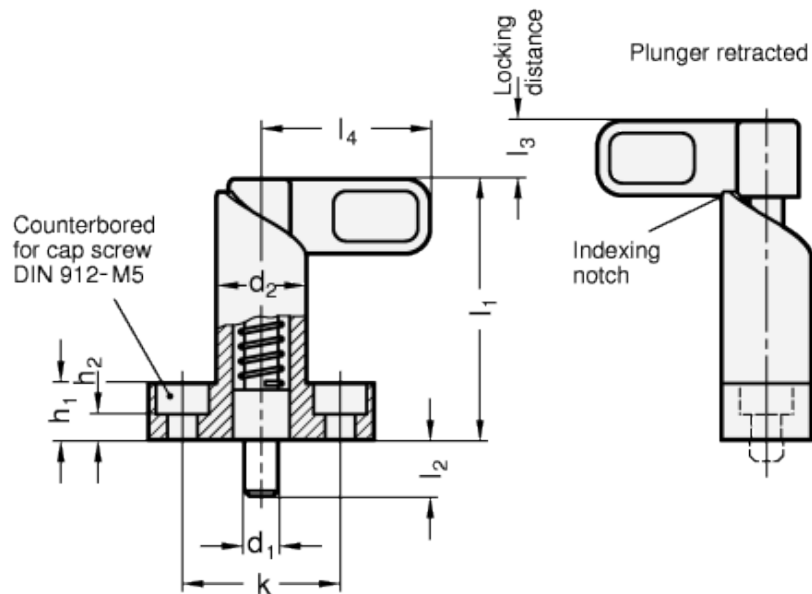


# GN 612.10

Cam action indexing plungers



technical informations

**Specification**

Guide

Zinc die casting

plastic coated

black, RAL 9005, textured finish SW

Plunger  
Steel  
zinc plated, blue passivated

Lever  
Plastic (Polyamide PA)  
- black, matt  
- not removable

*Information*

Cam action indexing plungers GN 612.10 are used in cases where the plunger must not protrude all the time. By rotating the lever through 180° the plunger withdraws itself. The notch allows safe positioning.

Standard Elements	Main dimensions											Spring load in N $\approx$		Weight
Description	d <sub>1</sub> -0.05	l <sub>2</sub>	d <sub>2</sub>	h	h <sub>2</sub>	k	l <sub>1</sub>	l <sub>3</sub>	l <sub>4</sub>	l <sub>5</sub>	s	initial	end	g
GN 612.10-6-10-16-SW	6	10	16	10	4.5	28	46	10	30	40	16	12	32	-
GN 612.10-6-16-16-SW	6	16	16	10	4.5	28	46	10	30	40	16	12	32	-
GN 612.10-8-10-16-SW	8	10	16	10	4.5	28	46	10	30	40	16	12	32	-
GN 612.10-8-16-16-SW	8	16	16	10	4.5	28	46	10	30	40	16	12	32	-
GN 612.10-8-12-20-SW	8	12	20	10	4.5	32	57	12	37	45	20	21	58	-
GN 612.10-8-18-20-SW	8	18	20	10	4.5	32	57	12	37	45	20	21	58	-
GN 612.10-10-10-16-SW	10	10	16	10	4.5	28	46	10	30	40	16	12	32	-
GN 612.10-10-16-16-SW	10	16	16	10	4.5	28	46	10	30	40	16	12	32	-
GN 612.10-10-12-20-SW	10	12	20	10	4.5	32	57	12	30	45	20	21	58	-
GN 612.10-10-18-20-SW	10	18	20	10	4.5	32	57	12	30	45	20	21	58	-
GN 612.10-12-12-20-SW	12	12	20	10	4.5	32	57	12	37	45	20	21	58	-
GN 612.10-12-18-20-SW	12	18	20	10	4.5	32	57	12	37	45	20	21	58	-



ELESA and GANTER models all rights reserved in accordance with the law. Always mention the source when reproducing our drawings.

STANDARD MACHINE ELEMENTS WORLDWIDE