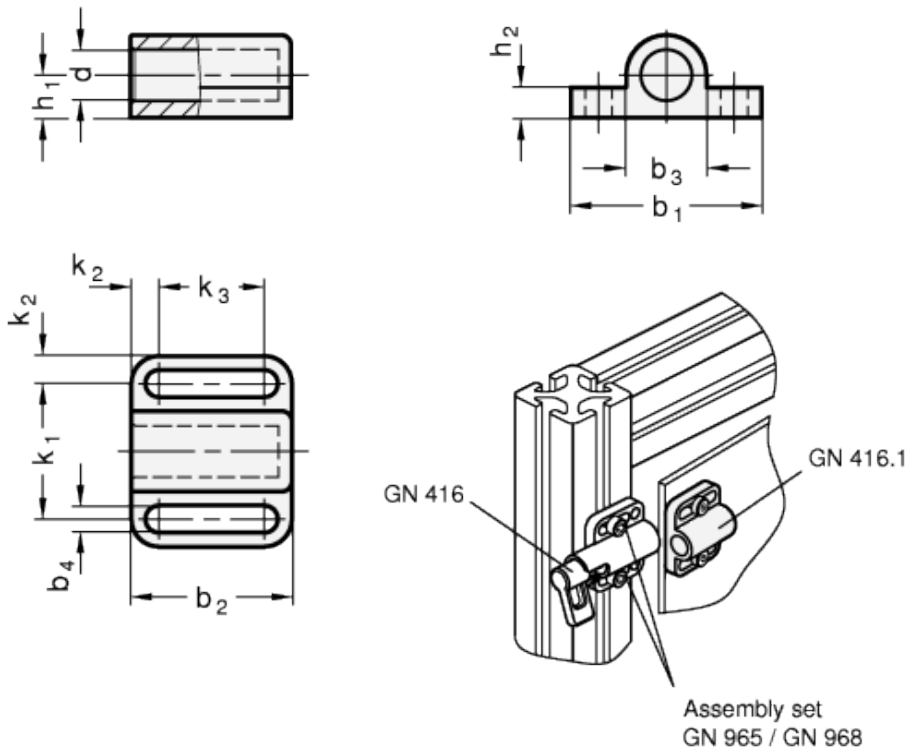


GN 416.1

Locators



technical informations

Specification

Zinc die casting
plastic coated
black, RAL 2005, textured finish

Information

Locators GN 416.1 are used to position the indexing pin of indexing plungers / indexing locks.

The Dimension h1 matches spring latches GN 416.

Standard Elements		Main dimensions											Weight
Description	d 标称尺寸	d 实际尺寸 +0.15/-0.05	b ₁	b ₂	b ₃	b ₄	h ₁	h ₂	k ₁	k ₂	k ₃	g	
GN 416.1-6-38	6	6.2	38	28	16	5.4	8.5	6	27	5.5	17	-	
GN 416.1-8-38	8	8.2	38	28	16	5.4	8.5	6	27	5.5	17	-	
GN 416.1-8-46	8	8.2	46	38	20	6.4	11	6	33	6.5	25	-	
GN 416.1-10-38	10	10.2	38	28	16	5.4	8.5	6	27	5.5	17	-	
GN 416.1-10-46	10	10.2	46	38	20	6.4	11	6	33	6.5	25	-	
GN 416.1-12-46	12	12.2	46	38	20	6.4	11	6	33	6.5	25	-	



ELESA and GANTER models all rights reserved in accordance with the law. Always mention the source when reproducing our drawings.

STANDARD MACHINE ELEMENTS WORLDWIDE