



FU 7278

Pressure regulator

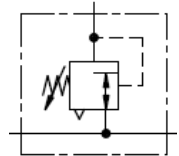
Continuous pressure supply Size 2

FU 7251 to FU 7286

G 3/8

G 1/2

0.1 to 1.0 bar
0.1 to 2.0 bar
0.2 to 4.0 bar
0.5 to 8.0 bar
0.5 to 10.0 bar
0.5 to 16.0 bar



Description

- Pressure regulator in the »FUTURA« series with continuous pressure supply.
- Precision pressure regulators facilitate a very fine pressure setting in applications requiring a constant working pressure.
- By assembling two or more regulators together, it is possible to supply several working air circuits with different pressures via a single supply line.

Part of the modular »FUTURA« series.

"KP200" or "WK 102" joiner set for seamless integration with other devices.

The regulators should only be used with filtered media (filter rating 50 µm).

Characteristics

Type	FU 7251 to FU 7266	FU 7271 to FU 7286
Port (thread)	G 3/8	G 1/2
Type of construction	- Diaphragm pressure regulator with self-relieving design	
Medium	Compressed air, neutral gases	
Mounting position	Any IMPORTANT: The regulated pressure can be bled at the back	
Temperature Medium / ambient	Max. 50 °C	
Input pressure Pin	Max. 16 bar	
Control range (output pressure)	0.1 to 1.0 bar / 0.1 to 2.0 bar / 0.2 to 4.0 bar / 0.5 to 8.0 bar / 0.5 to 10.0 bar / 0.5 to 16.0 bar	
Mounting type	Bracket, wall mounting, panel mounting	
Weight [kg]	0.540 without gauge / 0.610 with gauge	

Materials

Part	Material
Spring bonnet / adjusting knob	POM
Head piece	Grivory®
Diaphragm	Brass-NBR-PA6
Valve cone	Brass-NBR
O-ring 37.5 x 2.5	NBR
Cover (bottom screw)	POM
Threaded plate	Die-cast zinc

Ordering information

- The pressure regulators are delivered in single packs.
- Pressure gauge included.

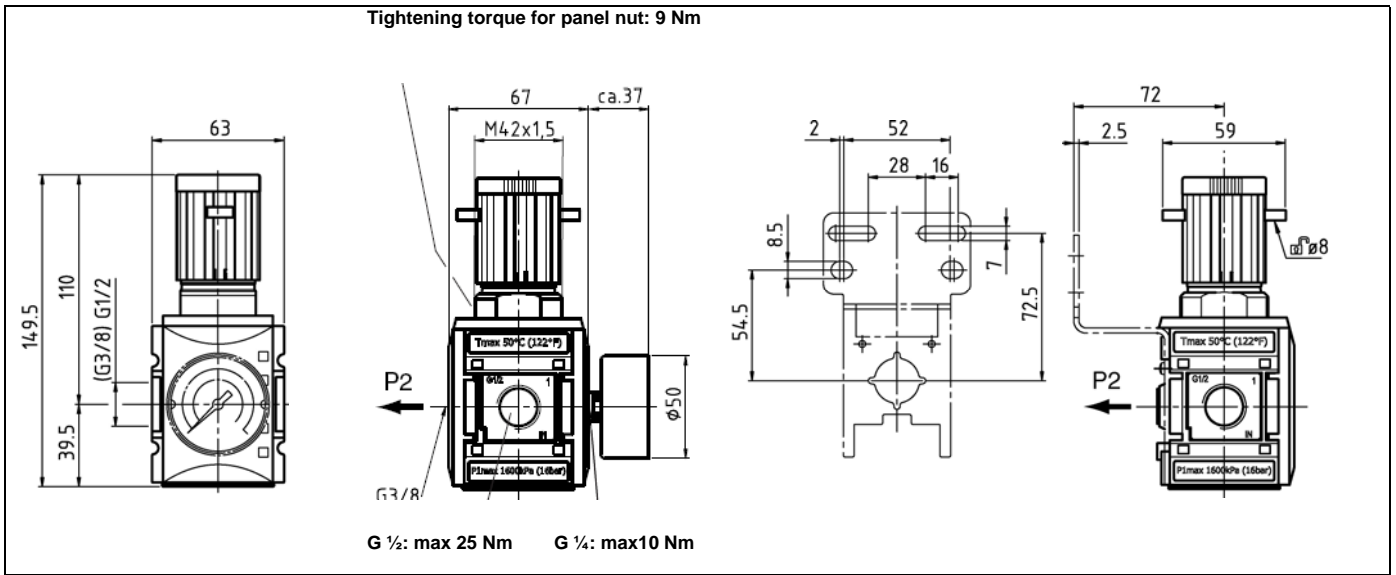
Accessories

Designation	Art. No.
Mounting bracket, incl. screws	H 852
Joiner set with wall bracket	WK 102
Joiner set	KP 200
Panel nut	FU 33-55
Key lock	SS 32

Spare parts

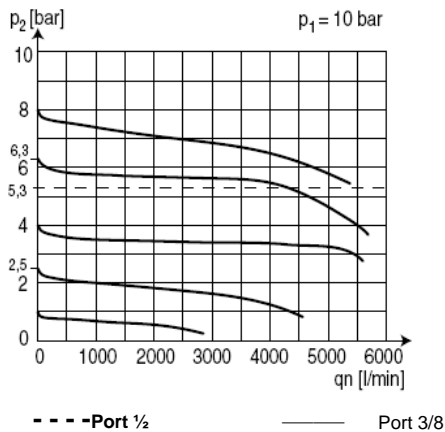
Designation	Art. No.
Seal kit	22.7180.4

Dimensions

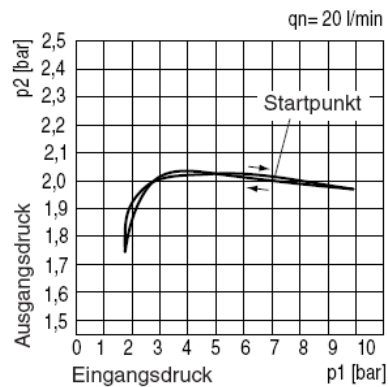


Flow rates

Flow characteristic



Hysteresis



Typical application

